



Precision Movement Solutions
For Wood Applications & Wood Cabinetry

Spring 2018

Accuride[®]
Always Moving Forward

Accuride®

Always Moving Forward

Accuride International Inc. began as a small tool and die shop in 1962 in South Gate, California, producing top-quality slides for tape drives and copy machines.

In the late 1960s, Accuride developed ball bearing slides for metal office furniture. The company's design engineers then took on the wood furniture market, developing features such as breathing tabs to absorb tolerances in wood products.

Today, still privately held, Accuride has nearly one million square feet of manufacturing space around the world and is the largest company in the world dedicated to the innovative design and manufacturing of ball bearing slides. Accuride slides are designed into a wide range of applications from fine furniture and appliances, to electronic enclosures, and automotive and industrial equipment.

Accuride built its reputation on quality and ensures strict standards are met by maintaining control over many manufacturing processes others routinely job-out. Progressive dies, roll forms, and plating lines are designed, built, and maintained in house, as are other key tools and machinery.

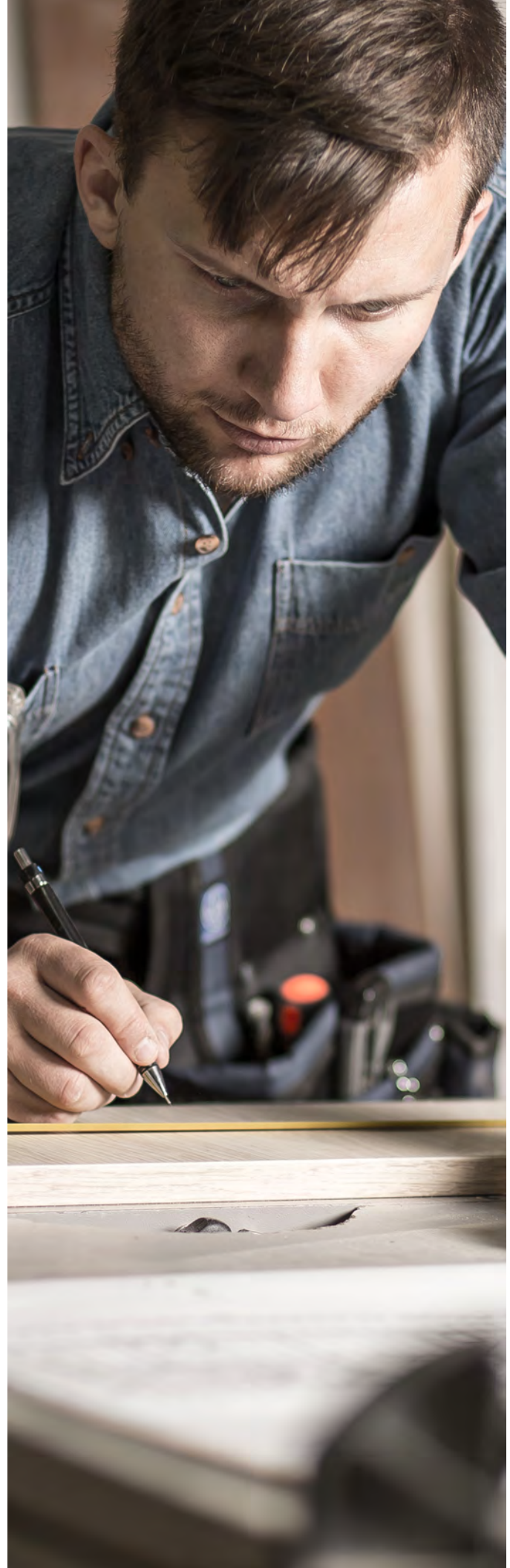
The North American facilities feature the largest tooling operation in the industry. Globally, Accuride employs more than 100 tool and die makers, has 77 roll form machines and two in-house steel mills.

Accuride plates over 75,000,000 square feet of material per year and is the largest zinc plater in the world. Accuride was the first slide manufacturer to use the electrocoating process on ball bearing slides and has developed finishes that vigorously resist corrosion.

Accuride's test laboratory is among the largest in the industry. Products are tested to meet or exceed standards established by ANSI and other testing agencies.

Accuride was the first U.S. based slide manufacturer awarded ISO 9001 certification. Today, all our production facilities have quality management systems registered to ISO 9001:2008.

As a part of Accuride's global commitment to adhering to local environmental laws (even exceeding the standards, whenever practical), using raw materials efficiently, and reducing waste, all slide finishes and components comply with the Restriction of Hazardous Substances (RoHS) Directive.





Slides for Wood Furniture & Wood Cabinetry

Technical Information..... 2

Slide Selection Criteria

Cross Section Guide..... 4-7

Slides at a Glance..... 8-9

Light-Duty Slides..... 10

1029, 2632, 2132

Medium-Duty Slides 12

*3732, Eclipse Undermount, 3832E Family,
7432/7434, 3017*

Heavy-Duty Slides..... 18

*400 Series, 3634EC/3634, 3641, 3640A,
3600, 3607, 3657, 7950, 7957,
9301E, 9307E, 9308E*

Corrosion-Resistant Collection 25

*SS2028, SS0330, SS5322, SS5321,
AL4140, AL4120*

Flipper Door Slides® 29

*117, 1145, 1155, 123/1234,
1321 Pro Pocket, 1332/1432*

Specialty Slides..... 34

*Ascent, CB3620-258TV, 2006, 2109,
Keyboard Tray Systems, 2019, 2002, 0363,
322, 340, 301-2590, 3600-200, 3600-201,
115RC, 116RC, CB-Hand Locking Handle Kit
AL4190 Tilt Track System*

Limited Lifetime Warranty..... Back Cover



To download a digital version of this catalog and other resources scan this QR code.

TO THE READER:

This catalog is designed to assist you in making the proper slide selection for your application. The information listed in this section explains the pertinent factors to consider when selecting a slide. Products are categorized as follows:

- **Light-Duty Slides** – Load ratings up to 75 pounds. These slides are suitable for small box drawers in residential and commercial cabinetry.
- **Medium-Duty Slides** – Load ratings range from 90–100 pounds. This group is appropriate for residential cabinetry, casework, and commercial desk and credenza drawers.
- **Heavy-Duty Slides** – Load ratings from 100–600 pounds. Suitable for a wide range of applications such as wide lateral files, large storage drawers, file cabinets, and pantry pull-outs.
- **Corrosion-Resistant Collection** – Load ratings from 100–1,323 pounds. These products are made with stainless steel and aluminum to provide solutions for applications subjected to moisture.
- **Flipper Door Slides®** – Load ratings from 25–75 pounds. These slides carry doors for entertainment centers, overhead storage units, and armoires.
- **Specialty Slides** – Load ratings from 14.5–265 pounds. This group includes media hardware, slides for kitchen cutting boards, pencil drawers, pull-out and pass-through shelves, and keyboard trays.

For additional information, technical sheets, and specific design information, visit our web site at www.accuride.com

DESIGN FACTORS

As with the selection of any system component, when choosing a slide for a specific application, you should consider the full range of features by comparing the project requirements to the key performance elements of the slide.

Length—Slide length is measured as the longest dimension of a fully closed slide. As a rule, always use the maximum length allowable in the application.

Extension—Or travel refers to how far the drawer extends from the cabinet.

- 3/4 extension** Drawer opens partially, about 3/4 of the total slide length.
- Full extension** Drawer opens the same amount as the slide length.
- Over travel** Drawer opens more than the length of the slide.

Drawer Width—In general, wider drawers require a

slide with a higher load rating and a cross section designed to withstand lateral stress. All slide products carry a maximum recommended drawer width.

Types of Movement—There are generally two types of slide movement:

- Telescoping** Slide movement occurs in stages. The drawer member extends fully and then picks up the intermediate member, pulling it to the end of the travel.
- Progressive** Movement is a result of all slide members moving simultaneously. This type of movement provides extremely smooth, quiet movement.

Disconnects—Slides with a disconnect method allow for the removal of the drawer or drawer member. Four types of disconnects are commonly found on slides for commercial and residential applications:

- Lever** Disconnect is achieved by releasing an internal lever and pulling the drawer straight outward, away from the cabinet.
- Rail** A rail latch allows you to raise the drawer off the slide and away from the cabinet. This type of disconnect facilitates smooth movement and easy drawer removal.
- Friction** No levers or latches are required to remove the drawer. Disconnect is achieved by pulling the drawer firmly through the resistance of the ball retainer.
- Push Latch** A latch is pressed to release the drawer. Disconnect is achieved by pulling the drawer firmly through the resistance of the ball retainer.

NOTE: Disconnect instructions are available online at <https://www.accuride.com/en-us/resources/videos/slide-terminology>

Slide Profiles—More than one slide profile (or height) may be appropriate for a given application. Accuride provides several low-profile design options for applications in which a smaller profile would enhance the appearance of the completed unit.

LOAD FACTORS

Load Rating—Most Accuride slides are tested a minimum of 50,000 cycles in accordance with the guidelines of all applicable ANSI/BIFMA specifications, or as appropriate for some moderate use applications. See the product technical sheet for specific information regarding test criteria. Thorough testing means that you can count on Accuride slides to meet industry-accepted criteria.

Our slides are rated for the dynamic load that an 18" pair will carry without failure (load rating decreases proportionally beyond the 18" length). In all cases, the static (resting) load capacity of each model is at least twice the load rating, providing at minimum a 100% static safety factor, even when the slide is loaded to its maximum rating. Because slide performance may be affected by factors unique to a specific application, always test slides in the intended application.

Flat Mounting—For optimal slide performance, mount slides only as indicated in the catalog or on the technical sheet. Certain slides may be mounted flat under a drawer, but the resulting load rating will be at least 50% less than the load rating applicable to the same pair of slides mounted vertically on the side of the drawer. Please consult the product technical sheet for specific flat-mount load rating information.

Shock/Vibration—Subjecting slides to shock and vibration may adversely affect the performance. Applications that are subject to these conditions should be tested to evaluate the affect on slide performance. If conditions are severe, select a heavier-duty slide.

APPLICATION FACTORS

Unit Construction—When installed in a drawer or cabinet that is lightweight and flexible, drawer slides can contribute to the structural rigidity of the unit. To ensure that the slide is able to provide this support, select a model with a slightly higher load rating and larger cross section than you would ordinarily need for the application.

Installation—Most slides are designed to be mounted in pairs on the sides of drawers or moving unit. When installing slides, exercise care to ensure that they are mounted parallel to each other, in vertical and horizontal axes.

Before mounting slides other than as designed, carefully consider any potential adverse effects on the slide and, if necessary, consult the factory.

For example, mounting slides flat under the drawer, rather than on the side, will lower the load rating by at least 50%, but mounting a slide high on one side and low on the other side will have little adverse effect on load rating.

Be sure to evaluate the mounting scheme thoroughly and test as needed. Not all slide models can be used in flat-mount applications.

ENVIRONMENTAL FACTORS

Unless otherwise stated, Accuride slides are designed for indoor use and should be protected from excessive moisture, chemical fumes, dirt, and corrosion. The Accuride self-cleaning ball retainer protects slide raceways by removing foreign particles between ball bearings. The lubricant provided is sufficient for normal slide life.

Use care when applying finishing agents because overspray may negatively affect slide movement. Should you need to clean the slides, you can re-lubricate them with a quality grease rated "EP" for extreme pressure.

Extreme temperatures can also affect the lubricant and plastic or rubber components. Commercial drawer slides are designed to be used for extended periods in temperatures between 0 and 180 degrees Fahrenheit. For service outside normal temperature and humidity ranges, consult the factory.

MATERIALS & FINISHES

Steel Slides—Slide members and ball retainers are made from cold-rolled steel, ball bearings are carburized steel.

Standard Finish (C): Clear zinc electroplate

Optional Finishes:

CB - Black Chromate over Zinc

CH - Clear Chromate over Zinc w/8x Corrosion Protection

CE - Clear Chromate over Zinc w/Corrosion Protection (over CH)

CP - Clear Chromate over Zinc w/Corrosion Protection (over CE)

EW - Electroplate White

Stainless Steel—Slide members, ball retainers, and ball bearings are stainless steel.

Aluminum—Slide members are aluminum, ball retainers and bearings are stainless steel.

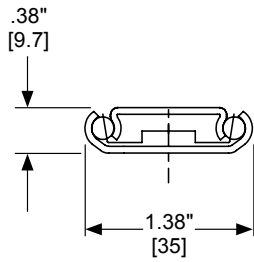
TECHNICAL SUPPORT

Please visit the *Technical Resources* section on our web site at www.accuride.com for the most current technical information.

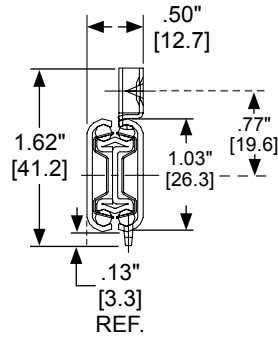
For further assistance, use the online *Technical Support Request* or send an e-mail to technical@accuride.com

LIGHT-DUTY

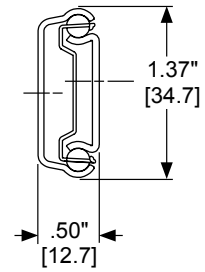
1029
35 lbs.
Max. drawer width 16"



2632
65 lbs./pr.
Max. dwr. width 16"

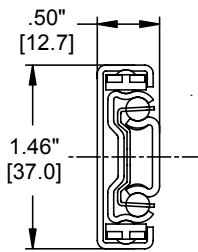


2132 ♦♦
75 lbs./pr.
Max. dwr. width 16"

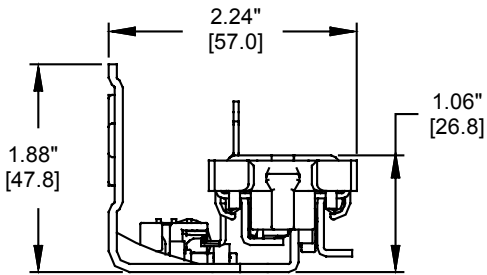


MEDIUM-DUTY

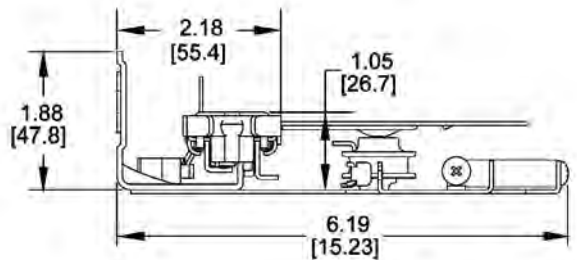
3732
100 lbs./pr.
Max. dwr. width 16"



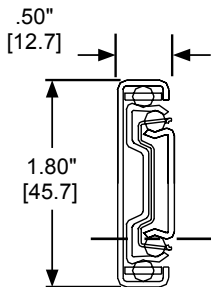
ECLIPSE 3135EC ♦♦
100 lbs./pr.
Max. dwr. width 30" wide



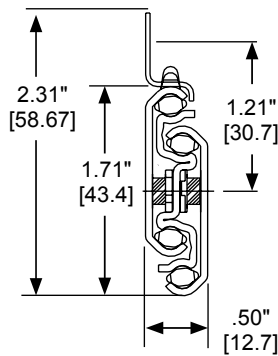
ECLIPSE 3160EC ♦♦
100 lbs./pr.
Max. dwr. width 30" wide



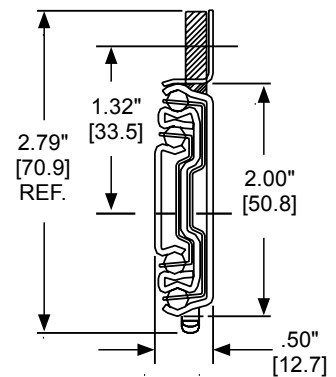
3832E ♦♦ / **3834E** *
90-100 lbs./pr.
Max. dwr. width 16"



7432/7434 ♦♦
100 lbs./pr.
Max. dwr. width 24"

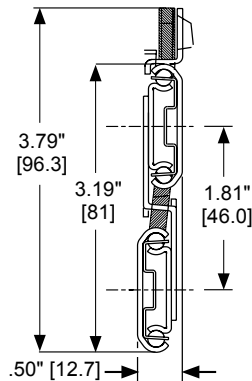


3017
100 lbs./pr.
Max. dwr. width 24"

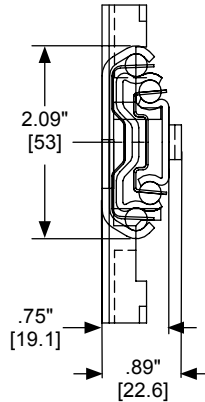


- ♦ - BHMA Certified
- ♦♦ - AWI Acknowledged
- * - Varies by model

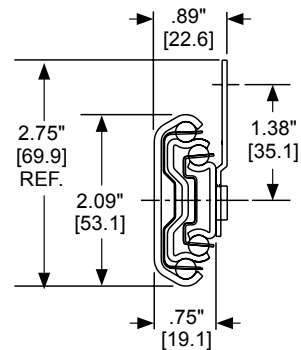
4032/33/34/35
100-150 lbs./pr.
Max. dwr. width: 18"-27"



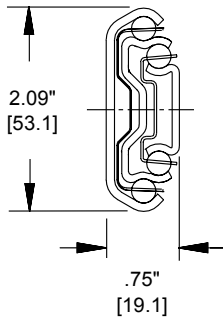
3641 ♦
180 lbs./pr.
Max. dwr. width 42"



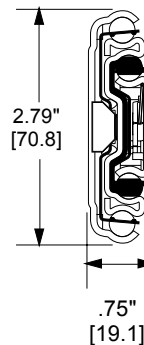
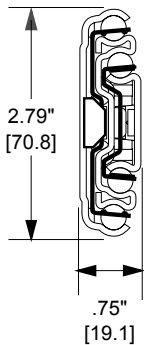
3640A
200 lbs./pr. side mount
Max. dwr. width 42"
75 lbs./pr. flat mount
Max. dwr. width 24"



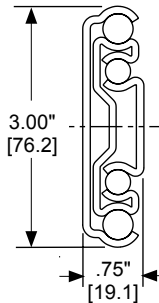
3600/3607/3657
200 lbs./pr.
Max. dwr. width 42"



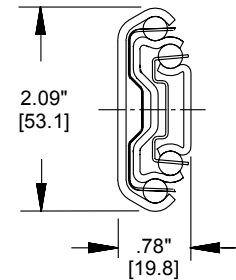
7950/7957 ♦
Side mount: 350 lbs./pr.
Flat mount: 150 lbs./pr.
Max. dwr. width 42"



9301E/9307E/9308E ♦
150-500 lbs./pr.
Dependent on usage

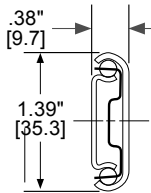


3634/3634EC
150-200 lbs./pr.
Up to 42" dwr. width

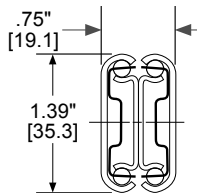


CORROSION RESISTANT

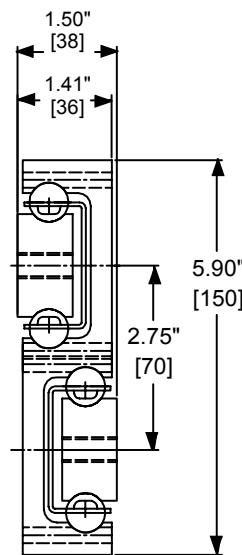
SS2028
100 lbs./pr.
Max. drawer width 18"



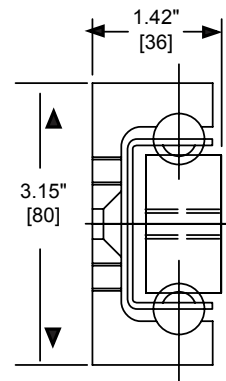
SS0330
143 lbs./pr.
Max. drawer width 18"



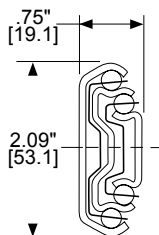
AL4140
Up to 1,323 lbs./pr.



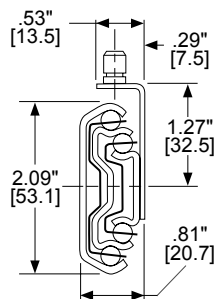
AL4120
Up to 1,212 lbs./pr.



SS5321
350 lbs./pr.
Max. drawer width 18"



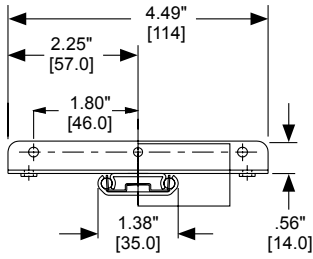
SS5322
265 lbs./pr.
Max. drawer width 18"



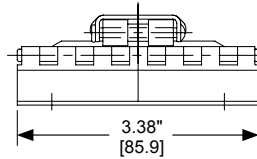
♦ - BHMA Certified
◆ - AWI Acknowledged

FLIPPER DOOR SLIDES®

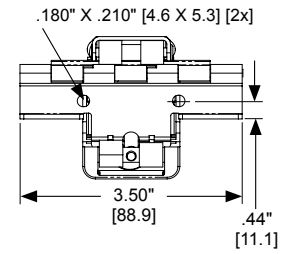
117
25 lbs./pr.
Doors up to 24" w x 36" h



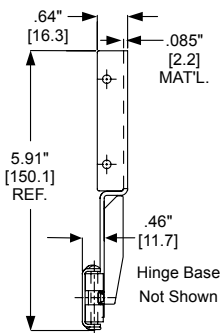
1145
30 lbs./pr.
Doors up to 36" wide



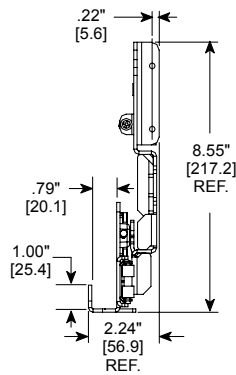
1155
30 lbs./pr.
Doors up to 48" wide



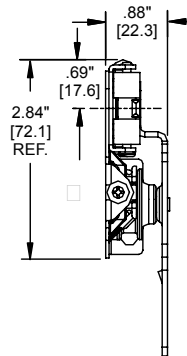
123/1234
30 lbs./pr.
Doors up to 24" w x 42" h



1321
30 lbs./pr.
Doors up to 24" w x 42" h

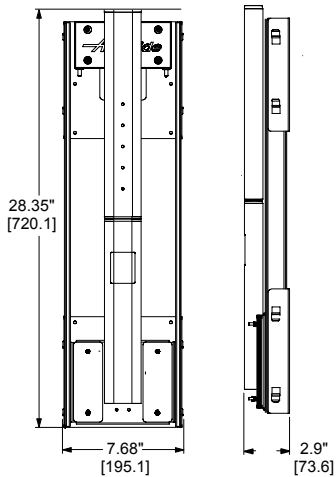


1332/1432
75 lbs./pr.
Doors up to 26" w x 78" h

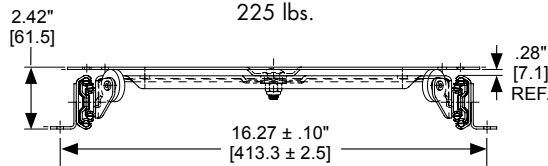


SPECIALITY SLIDE PRODUCTS

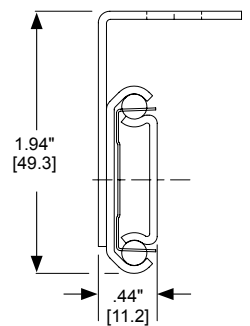
ASCENT CBLIFT-0019
Up to 14.5 lbs.



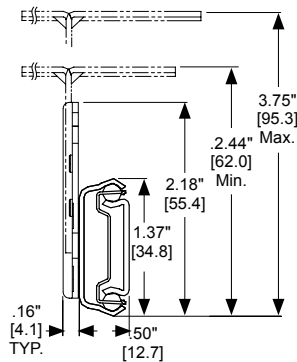
CB3620-258TV
225 lbs.



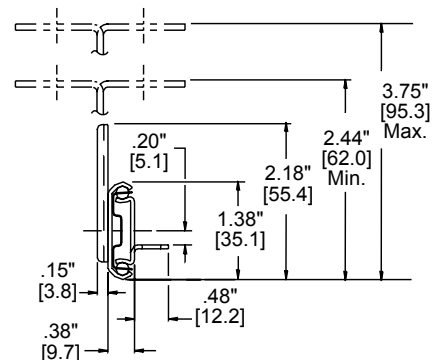
2006
45 lbs./pr.
Max. dwr. width 16"



2109 ◆
75 lbs./pr.
Max. dwr. width 16"



2019
75 lbs./pr.
Max. dwr. width 16"



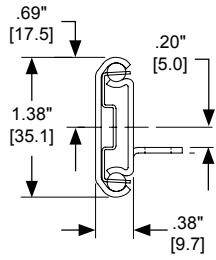
◆ - BHMA Certified

◆ - AWI Acknowledged

SPECIALITY SLIDE PRODUCTS

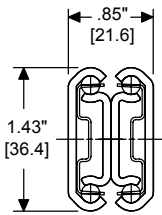
2002

50 lbs./pr.
Max. dwr. width 12"



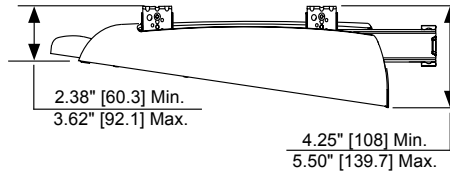
0363

100 lbs./pr.
Max. dwr. width 18"



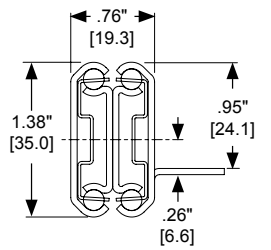
CBERGO-TRAY200/300

Profile width 29.6"



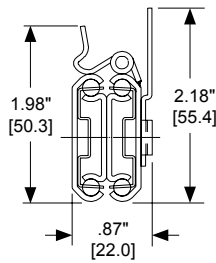
322

100 lbs./pr.
Max. dwr. width 16"



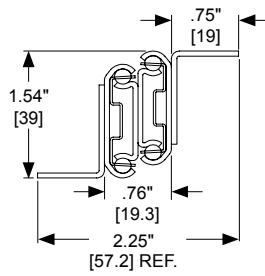
340

110 lbs./pr.
Max. dwr. width 18"



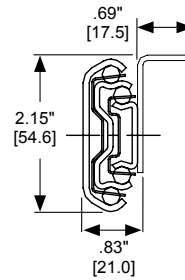
301-2590

155 lbs./pr.
Max. dwr. width 16"



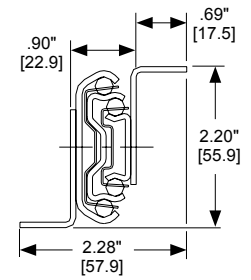
3600-200

175 lbs./pr.
Max. dwr. width 20"



3600-201

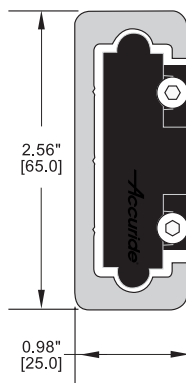
175 lbs./pr.
Max. drawer width 20"



116RC

HEAVY-DUTY LINEAR MOTION TRACK SYSTEM

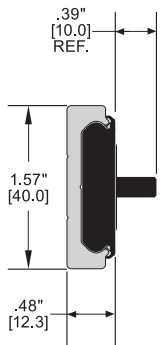
Up to 793 lbs. [360 kg]



115RC

LINEAR MOTION TRACK SYSTEM

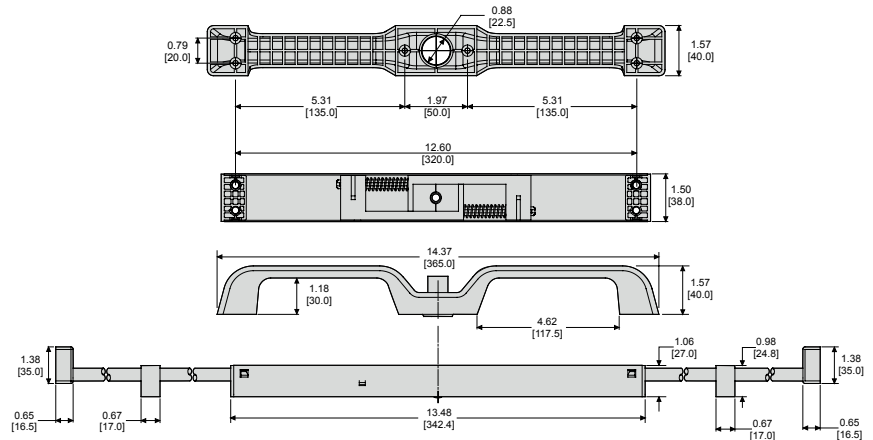
Up to 265 lbs. [120 kg]



CB-HAND - LOCKING HANDLE KITS

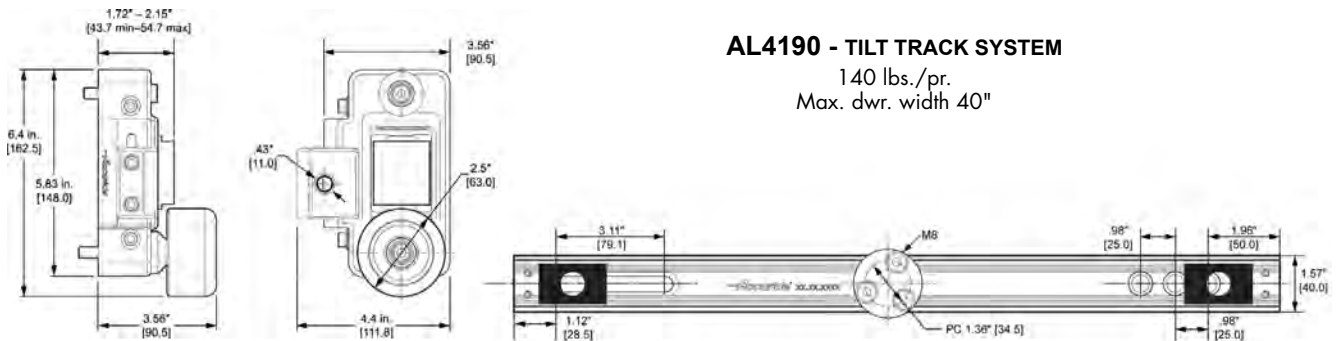
Max. dwr. width 60"

Adds lock-in and lock-out to heavy-duty slides.



AL4190 - TILT TRACK SYSTEM

140 lbs./pr.
Max. dwr. width 40"



	MODEL	LOAD RATING	TRAVEL	DRAWER WIDTH	DETENT	DISCONNECT	PAGE
Light Duty	1029	35 lbs. [16 kg]	3/4	16" [406 mm]	-	Friction	11
	2632	65 lbs. [30 kg]	Full	16" [406 mm]	Hold-in	Rail	11
	2132	75 lbs. [34 kg]	3/4	16" [406 mm]	Hold-in	Lever	11
Medium-Duty Slides	3732	100 lbs. [45 kg]	Full	16" [406 mm]	Hold-in	Push Latch	13
	3135EC	100 lbs. [45 kg]	Full	30" [762 mm]	Hold-in	Lever	14
	3160EC	100 lbs. [45 kg]	Full	60" [1524 mm]	Hold-in	Lever	14
	3832E	100 lbs. [45 kg]	Full	16" [406 mm] (varies by model)	Hold-in	Lever	15
	3834E	100 lbs. [45 kg]	1" Over [25.4 mm]	16" [406 mm]	Hold-in	Lever	16
	7432	100 lbs. [45 kg]	Full	24" [610 mm]	Hold-in	Rail	17
	7434	100 lbs. [45 kg]	1" Over [25.4 mm]	24" [610 mm]	Hold-in	Rail	17
	3017	100 lbs. [45 kg]	1" Over [25.4 mm]	24" [610 mm]	Hold-in	Rail	17
Heavy-Duty Slides	4032	150 lbs. [68 kg]	Full	27" [686 mm]	Hold-in	Rail	19
	4033	100 lbs. [45 kg]	Full	18" [457 mm]	Hold-in	Rail	19
	4034	150 lbs. [68 kg]	1.5" Over [38.1 mm]	24" [610 mm]	Hold-in	Rail	19
	4035	100 lbs. [45 kg]	1.5" Over [38.1 mm]	18" [457 mm]	Hold-in	Rail	19
	3634EC	150 lbs. [68 kg]	1" Over [25.4 mm]	42" [1067 mm]	Hold-in	Lever	20
	3634	200 lbs. [91 kg]	1" Over [25.4 mm]	42" [1067 mm]	Hold-in	Lever	20
	3641 Interlock	180 lbs. [82 kg]	1" Over [25.4 mm]	42" [1067 mm]	Hold-in	Rail	21
	3640A	200 lbs. [91kg] Side Mount 75 lbs. [34 kg] Flat Mount	1" Over [25.4 mm]	42" [1067 mm] 24" [610 mm]	Hold-in	Rail -	21
	3600	200 lbs. [91 kg]	Full	42" [1067 mm]	Hold-in	-	22
	3607 Lock-out	200 lbs. [91 kg]	Full	42" [1067 mm]	-	Lever	22
	3657	200 lbs. [91 kg]	Full	42" [1067 mm]	Hold-in	Lever	22
	7950	350 lbs. [159 kg]	Full	42" [1067 mm]	Hold-in	-	22
	7957	350 lbs. [159 kg]	Full	42" [1067 mm]	Hold-in	Lever	22
	9301E	180-600 lbs. [272 kg]	Full	Up to 42" [1067 mm]	-	-	23
	9307E Lock-out	180-600 lbs. [272 kg] Depending on application	Full	Up to 42" [1067 mm]	-	-	24
	9308E lock-in/out	180-600 lbs. [272 kg] Depending on application	Full	Up to 42" [1067 mm]	-	-	24

Note: Super Heavy-Duty Models AL4120 and AL4140 may be found in the Corrosion-Resistant Collection on page 28.

MODEL	LOAD RATING	TRAVEL	DRAWER WIDTH	DETENT	DISCONNECT	PAGE	
SS2028 Stainless Steel	100 lbs. [45 kg]	3/4	18" [457 mm]	-	-	26	Corrosion Resistant
SS0330 Stainless Steel	143 lbs. [65 kg]	Full	18" [457 mm]	Hold-in	-	26	
SS5322 Stainless Steel	265 lbs. [120 kg]	Over	18" [457 mm]	Hold-in	Bracket	27	
SS5321 Stainless Steel	350 lbs. [159 kg]	Over	18" [457 mm]	Hold-in	-	27	
AL4120 Aluminium	1,212 lbs. [550 KG]	3/4	Load based on 24"	Hold-in	-	28	
AL4140 Aluminium	1,323 lbs. [600 kg]	Full	Load based on 24"	Hold-in	-	28	
MODEL	MAX. DOOR WEIGHT		MOUNTING	MAX. DOOR SIZE		PAGE	Flipper Door Slides®
117	25 lbs. [11 kg]		Horizontal or Vertical	24" w x 36" h [610 mm x 914 mm]		30	
1145 Over-the-top	30 lbs. [14 kg]		Horizontal	Up to 36" [914 mm] wide		30	
1155 Easy-Down®	30 lbs. [14 kg]		Horizontal	Up to 48" [1219 mm] wide		31	
123/1234	30 lbs. [14 kg]		Horizontal or Vertical	24" w x 42" h [610 mm x 1067 mm]		31	
1321 Pro Pocket	30 lbs. [14 kg]		Vertical	24" w x 42" h [610 mm x 1067 mm]		32	
1332/1432 Anti-Rak cable	75 lbs. [34 kg]		Vertical	26" w x 78" h [660 mm x 1981 mm]		33	
MODEL	LOAD RATING	TRAVEL	DRAWER WIDTH	DETENT	DISCONNECT	PAGE	Specialty Slides
CB-LIFT-0019 Ascent	14.5 lbs. [6.6 kg]	22"	Push-to-operate mechanical lift for screens up to 17.5" tall and 22" diagonally.			35	
CB3620-258TV - TV Swivel	22.5 lbs. [102 kg]	-	Accuride's TV Swivel handles televisions up to 36" diagonally.			35	
2006 Pencil drawer slide	45 lb. [20 kg]	3/4	16" [406 mm]	-	Friction	36	
2109 Suspended drawer slide	75 lbs. [34 kg]	3/4	16" [406 mm]	Hold-in & Out	-	36	
CBERGO-TRAY 200	-	3/4	16" [406 mm]	Hold-in & Out	-	37	
CBERGO-TRAY 300 - Deluxe	-	Full	29.6" [751 mm]	Hold-in, -out, & intermediate	-	37	
2019 Suspended shelf slide	75 lbs. [34 kg]	3/4	16" [406 mm]	Hold-in	Lever	38	
2002 Two-way travel slide	50 lbs. [23 kg]	3/4	12" [305 mm]	Center	-	38	
0363 Two-way travel slide	100 lbs. [45 kg]	Full	18" [457 mm]	Center	-	39	
322 - Pull-out shelf	100 lbs. [45 kg]	.88" over [22 mm]	16" [406 mm]	-	-	40	
340 - Butcher block slide	110 lbs. [50 kg]	Full	18" [457 mm]	-	Bracket	40	
301-2590 Pull-out storage slide	155 lbs. [70 kg]	.83" over [21 mm]	16" [406 mm]	Hold-in	-	41	
3600-200/3600-201 StowAway slides	175 lbs. [79 kg]	Full	20" [508 mm]	-	Lever	41	
115RC Linear Motion track system	265 lbs. [120 kg]	265 lbs. [120 kg]	-	-	-	42	
116RC Heavy-Duty Linear Motion track system	794 lbs. [360 kg]	265 lbs. [120 kg]	-	-	-	42	
CB-HAND Locking Handle Kit	Dependent on slide	-	Up to 60" [1.5 m]	-	-	43	
AL4190 Tilt-Track system	140 lbs. [65 kg]	Extends & tilts down	Up to 40" [1016 mm]	-	-	44	



Light-Duty Slides

35–75 Pounds

Up to 16 Inch Drawer Widths

SPECIFICATIONS

- 3/4 extension
- Drawers up to 16" [406 mm] wide
- Friction disconnect
- Steel ball bearings
- Lengths 13"-27" [330-685 mm]
- Clear zinc or black finish

SPECIAL FEATURES

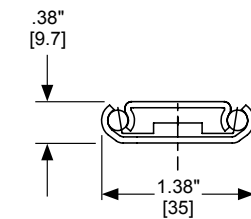
- Single slide center-mounted under drawer
- Eliminates side space requirements

Adjustable rear mounting bracket:

P/N 4010-0157-CE

Reversed rear mounting bracket:

P/N 4010-0353-CE



1029

35-lb. [16 kg] load rating



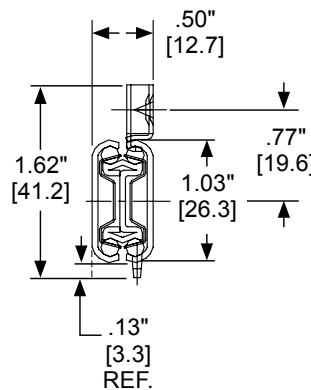
A concealed undermount slide for small, shallow drawers in light-duty applications.

SPECIFICATIONS

- Full extension
- .50" [12.7 mm] side space
- Drawers up to 16" [406 mm] wide
- Rail mount/disconnect
- Steel ball bearings
- Even lengths 8"-22" [203-559 mm]
- Clear zinc or black finish

SPECIAL FEATURES

- Lowest profile rail mount
- Hold-in detent to prevent drawer roll-out and bounce-back
- Silenced in and out
- 32 mm and traditional hole pattern



2632

65-lb. [30 kg] load rating



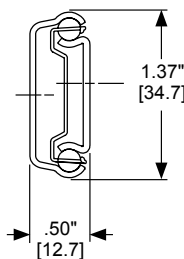
Suitable for light-duty commercial or residential use: store fixtures, lab furniture, and kitchen box drawers.

SPECIFICATIONS

- 3/4 extension
- .50" [12.7 mm] side space
- Drawers up to 16" [406 mm] wide
- Lever disconnect
- Steel ball bearings
- Lengths 10"-28" [250-700 mm]
- Clear zinc or black finish

SPECIAL FEATURES

- Low profile
- Hold-in detent
- Cam Drawer Adjust
- 32 mm and traditional hole pattern



2132

75-lb. [34 kg] load rating



Use in small shallow drawers intended for office supplies or kitchen utensils in commercial or residential applications.

Optional face frame bracket kit:

P/N 4180-0321-XE

Pilaster mounting kit:

P/N 4180-0266-XE

Clip-on Bracket (zinc):

P/N 5410-08XX (varies by length)





Medium-Duty Slides

90-100 Pounds

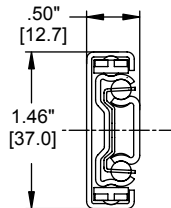
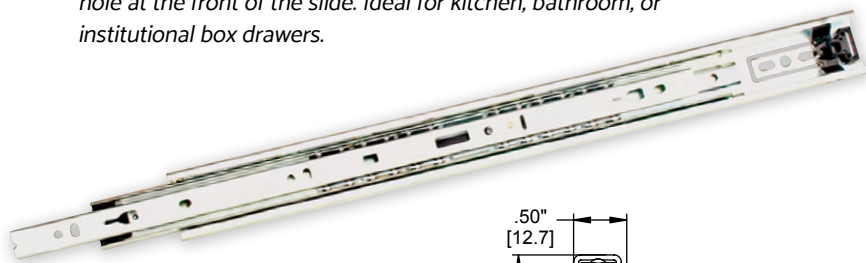
16-60 Inch Drawer Widths

3732

100-lb. [45 kg] load rating



This low profile slide has a convenient face frame mounting hole at the front of the slide. Ideal for kitchen, bathroom, or institutional box drawers.



- Hold-in detent to prevent drawer roll-out and bounce-back
- Enhanced silencing in and out
- 32 mm and traditional hole pattern
- Front face frame mounting hole

Optional rear face frame bracket mounting kit:

P/N 4180-0431-XE

Clip-on Bracket:

P/N 5410-08XX (varies by length)



SPECIFICATIONS

- Full extension
- .50" [12.7 mm] side space
- Drawers up to 16" [406 mm] wide
- Unhanded push latch disconnect
- Ball bearings:
 - Zinc and black finish-steel
 - White finish-steel and polymer
- Even lengths 12"-28" [305-711 mm]
- Clear zinc, white, or black finish
- Available in Production Packaging (FP)

SPECIAL FEATURES

- Lowest profile side mount slide

SAVE TIME!

Production packaging (FP)
Available for all lengths



Slides are shipped with the drawer members disconnected from the cabinet members. The two types of members are packaged separately within the same box, allowing the drawer members to be distributed to a different area of the shop for installation.

3135EC Eclipse/3160EC

100-lb. [45 kg] load rating



The Eclipse undermount offers a durable concealed slide solution for both commercial and residential installations.

SPECIFICATIONS

- Full extension
- Front lever disconnect
- Steel and polymer ball bearings
- Even lengths 12"-28" [305-711 mm], 15" [381 mm] and 21" [533 mm]
- Clear zinc finish

SPECIAL FEATURES

- Easy-Close action brings drawers to a gentle close
- Face frame and frameless compatible
- 1/4-turn cam lock to secure drawer front position
- Vertical, horizontal and front-to-back drawer front adjustment
- 32 mm and traditional hole pattern

3135EC

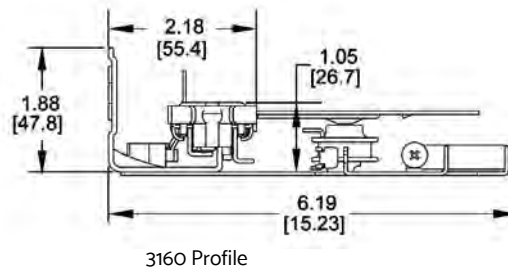
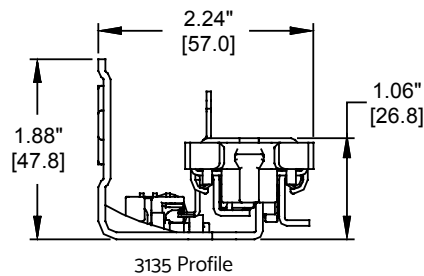
- ADA Compliant
- Drawers up to 30" wide
- Optional rear face frame bracket provides 2" of depth adjustment.

3160EC

- Drawers up to 60" wide
- Cable system for drawers 31"- 40" (only)
- Additional Stabilizer Kit and cable system required for drawers 41"- 60"

3135EC - EASY-CLOSE

- Brings drawers to a gentle close



OPTIONAL KITS

Compatible with 3135EC Only

- P/N 4180-0656-XE - Slotted Rear Face Frame Bracket
- P/N 4180-0568-XE - Drill Jig
- P/N 4180-0569-XE - Bottom Mount Bracket
- P/N 4180-0603-XE - Tool Kit
- P/N 4180-0604-XE - Inset Face Frame Bracket
- P/N 4180-0605-XE - Inset Face Frame Bracket (Bottom)

Compatible with 3160EC Only

- PN 4180-0753-XE - Wide Drawer Stabilizer kit

Compatible with 3135EC and 3160EC

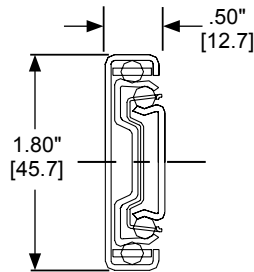
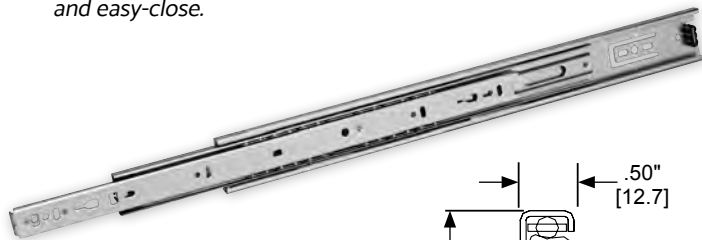
- PN 4180-0747-XE - Standard Lever Disconnect

3832E Family

90-100-lb. [41-45 kg] load rating



This group of products offers a number of options including self-closing, detent out, weather-resistant, touch release, and easy-close.



SPECIFICATIONS

- Full extension
- .50" [12.7 mm] side space
- Drawers up to 16" [406 mm] wide**
- Lever disconnect
- Ball bearings:
 - Zinc and black finish-steel
 - White finish-steel and polymer
- Clear zinc, black, or white finish**

SPECIAL FEATURES

- Hold-in detent to prevent drawer roll-out and bounce-back
- Cam Drawer Adjust
- Easy access to mounting holes
- Silenced in and out
- 32 mm and traditional hole pattern

** Vary by model.



3832ETR
eliminates the need
for knobs or pulls.



CH3832 is ideal for
environments sub-
jected to
indirect humidity.

Optional accessories for pilaster and face frame mounting:

P/N 4180-0266-XE

Pilaster kit

P/N 4180-0752-XE

Rear Face frame kit

3832ETR/3832EHDTR

P/N 4180-0758-XE

Face frame kit

3832EC

P/N 4180-0745-XE

Rear face frame kit

Clip-on Bracket

Compatible with 3832E, 3832EDO,
3832ESC, 3832EHDSC and CH3832

P/N 5410-08XX (varies by length)



SAVE TIME!

Production
packaging (FP)

Model 3832E
10"-28" LENGTHS

Model 3834E
ALL LENGTHS

Slides are shipped with the drawer members disconnected from the cabinet members. The two types of members are packaged separately within the same box, allowing the drawer members to be distributed to a different area of the shop for installation.



A host of options to suit a variety of applications...

Enhanced 3832E–Classic

- Drawers up to 24" [610 mm] wide
- Even lengths 6"-28" [148-700 mm]
- Lengths 10"-28" available in Production Packaging (FP)

Enhanced 3834E–Over Travel

- 100-lb. [41 kg] load rating
- 1" [25.4 mm] over travel
- Even lengths 12"-28" [300-700 mm]
- Available in Production Packaging (FP)

Enhanced 3832ESC–Self-Closing*

- Self-closing device ensures drawer closure
- Even lengths 12"-28" [300-700 mm]

Enhanced 3834ESC–Self-Closing*

- 90-lb. [41 kg] load rating
- Self-closing device ensures drawer closure
- 1" [25.4 mm] over travel
- Even lengths 14"-28" [350-700 mm]

Enhanced 3832EHDSC–Heavy-Duty SC*

- Self-closing device has heavier spring for stronger hold-in action
- Even lengths 12"-28" [300-700 mm]

Enhanced 3832EDO–Detent Out

** Due to the self-closing feature, a stronger pull force is required to open drawers.*

- Special detent out to hold drawers or pull-out shelves in an open position.
- Even lengths 10"-28" [199-700 mm]

Enhanced 3832ETR–Touch Release Enhanced 3832EHDTR–Heavy-Duty TR

- These products hold drawers or roll-out shelves in a closed position until activated by touch.
- Even lengths 12"-28" [300-700 mm]

Enhanced CH3832–Weather Resistant

- Drawers up to 24" [610 mm] wide
- Special coating provides eight times more protection than standard zinc finish.
- Stainless steel ball retainer, ball bearings, and rivets
- Even lengths 10"-28" [199-700 mm]

Enhanced 3832EC–Easy-Close*

- Brings drawers to a gentle close
- Front face frame mounting hole
- Even lengths 14"-28" [350-705 mm]
- Not available in white finish



Models 3832E, CH3832, 3832EDO, 3832ETR, 3832EHDTR

7432/7434

100-lb. [45 kg] load rating



The top-quality choice for file, desk, and storage drawers in commercial or residential applications.

cam
DRAWER
ADJUST

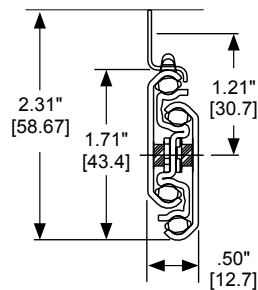


BHMA
CERTIFIED

AWI ARCHITECTURAL
WOODWORK
INSTITUTE

SPECIFICATIONS

- .50" [12.7 mm] side space
- Drawers up to 24" [610 mm] wide
- Rail mount/disconnect
- Steel ball bearings
- Even lengths 12"-28" [300-700 mm]
- Clear zinc or black finish



SPECIAL FEATURES

- Progressive movement
- Hold-in detent to prevent drawer roll-out and bounce-back
- Cam Drawer Adjust
- 32 mm and traditional hole pattern

7432

- Full extension

7434

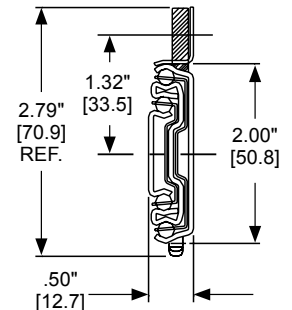
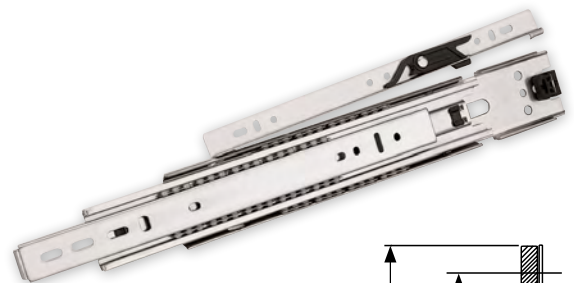
- 1" [25.4 mm] over travel

3017

100-lb. [45 kg] load rating

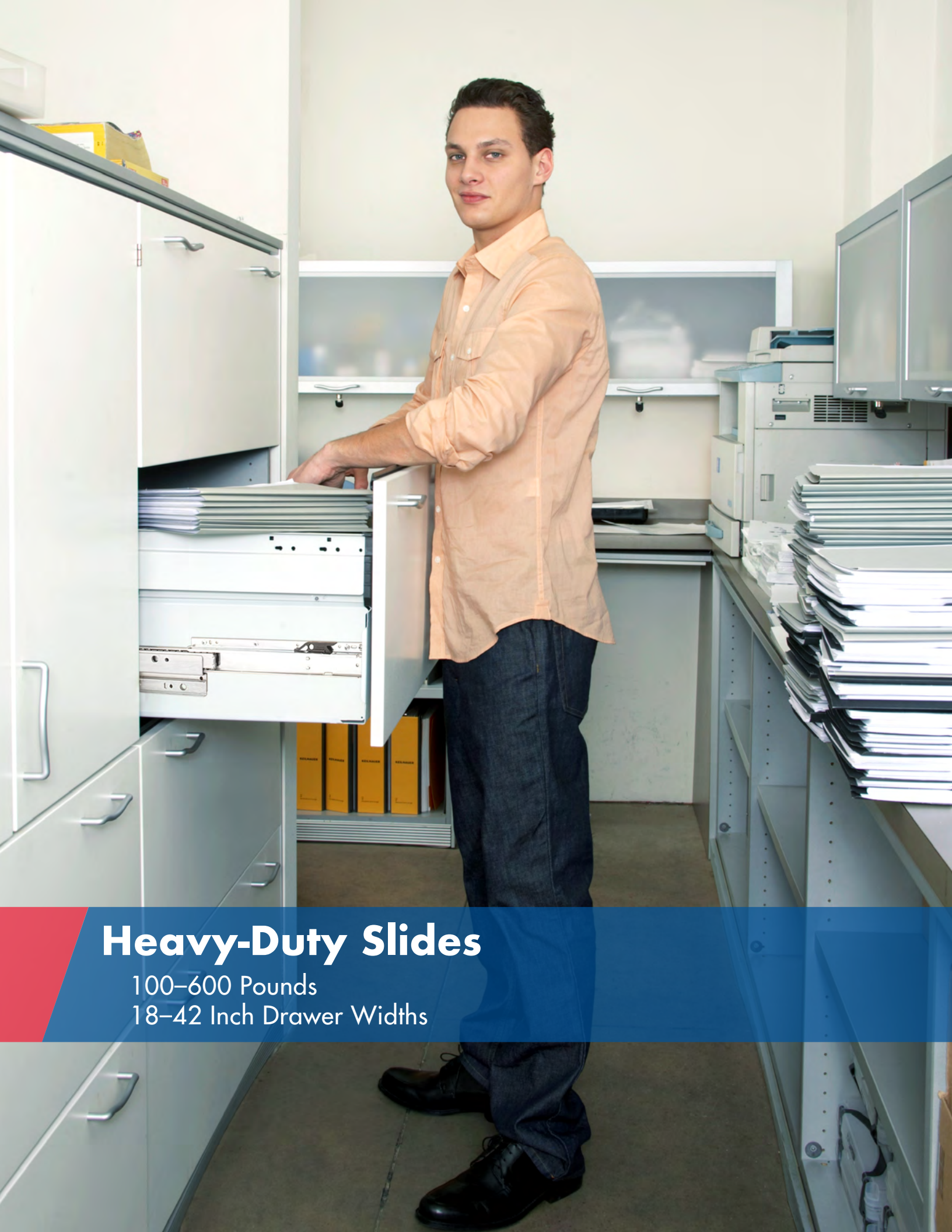


The rail/mount disconnect and polymer ball bearings provide smooth and quiet operation for wider desk and credenza drawers.



SPECIFICATIONS

- 1" [25.4 mm] over travel
- .50" [12.7 mm] side space
- Drawers up to 24" [610 mm] wide
- Rail mount/disconnect
- Polymer ball bearings
- Hold-in detent to prevent drawer roll-out and bounce-back
- Even lengths 12"-28" [305-711 mm]
- Clear zinc or black finish



Heavy-Duty Slides

100–600 Pounds

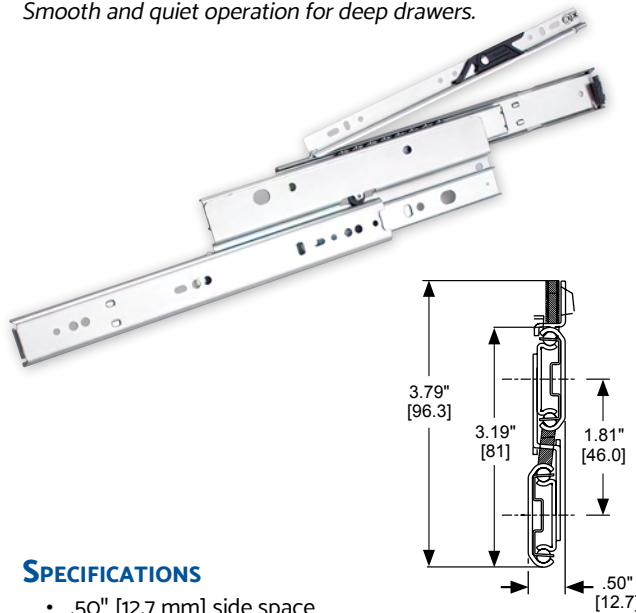
18–42 Inch Drawer Widths

400 series

100-150-lb. [45-68 kg] load rating



Smooth and quiet operation for deep drawers.



SPECIFICATIONS

- .50" [12.7 mm] side space
- Rail mount/disconnect
- Even lengths 12"-28" [305-700 mm]
- Clear zinc or black finish

SPECIAL FEATURES

- Progressive movement
- Hold-in detent to prevent drawer roll-out and bounce-back
- Cam Drawer Adjust
- Silenced in and out
- 32 mm and traditional hole pattern

4032-For wider drawers

- Drawer widths up to 27" [686 mm]
- 150-lb. [68 kg] load rating
- Full extension
- Steel ball bearings

4033

- Drawer widths up to 18" [457 mm]
- 100-lb. [45 kg] load rating
- Full extension
- Polymer ball bearings
(Not recommended for lateral files)

4034-OVER TRAVEL WITH A HIGHER LOAD

- Drawer widths up to 24" [610 mm]
- 150-lb. [68 kg] load rating
- 1.5" [38.1 mm] over travel
- Steel ball bearings

4035-OVER TRAVEL

- Drawer widths up to 18" [457 mm]
- 100-lb. [45 kg] load rating
- 1.5" [38.1 mm] over travel
- Polymer ball bearings
(Not recommended for lateral files)

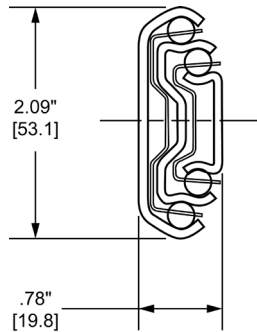


3634EC/3634

150-200-lbs. [68-91 kg] load rating



For wide drawers, trays and storage bins with heavy loads.

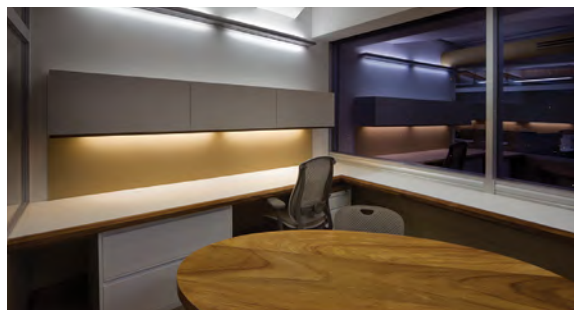


SPECIFICATIONS

- 1" [25.4 mm] over travel
- .78" [19.8 mm]
- Lever disconnect
- Drawers up to 42" [1067 mm]
- Steel ball bearings
- Clear zinc (C) or electroplate black (CB)

SPECIAL FEATURES

- Outer member hole pattern matches 3832E/3834E
- Unhanded slides



Business and Commercial Storage



3634EC
Easy-Close

3634EC EASY-CLOSE

- Brings drawers to a smooth, gentle close.
- 150-lbs. [68 kg] load rating
- Polymer out-stops for quiet operation
- Even lengths 14"-28" [356-700 mm]



3634

3634

- May be side or flat mounted
 - 200 lbs. [91 kg] side mount
 - 75 lbs. [34 kg] under/flat mount
 - In-and-out stops silenced for quiet operation
 - Even lengths 12"-28" [305-711 mm]
- Note:** The 14" length is full extension only



Specialty Casework



Residential and Industrial Storage

3641

180-lb. [82 kg] load rating



Suitable for commercial or residential filing cabinet drawers requiring interlock.



Model 3642 Companion Slide See technical sheet for details

SPECIFICATIONS

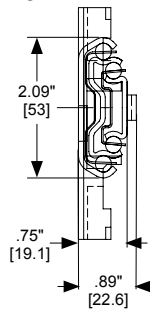
- 1" [25.4 mm] over travel
- .89" [22.6 mm] side space
- Drawers up to 42" [1067 mm] wide
- One piece rail-and-pocket mount/disconnect system
- Steel ball bearings
- Even lengths 14"-28" and 17" [353-709 and 429 mm]
- Clear zinc or black finish

SPECIAL FEATURES

- Front location of interlock eliminates reaching during installation
- Interfaces with central locking system
- Cut-to-length aluminum connecting rods
- Hold-in detent to prevent drawer roll-out and bounce-back
- Silenced in and out
- 32 mm and traditional hole pattern

Optional gang locking system:

P/N 4180-0345-XE

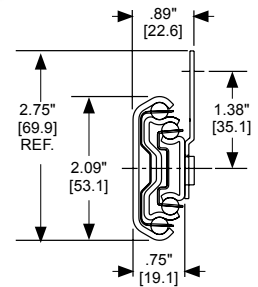
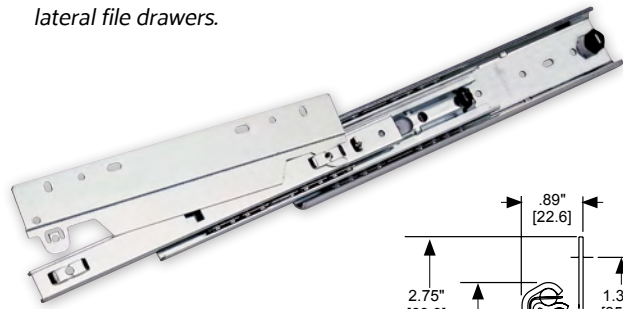


3640A

200-lb. [91 kg] load rating



Can be side or flat mounted. Recommended for wider lateral file drawers.



SPECIFICATIONS

- 1" [25.4 mm] over travel
- .89" [22.6 mm] side space
- Adapter rail mount/disconnect
- Steel ball bearings
- Even lengths 12"-28" [305-711 mm]
- Clear zinc or black finish

SPECIAL FEATURES

- Dual mounting options:
 - 200 lb. [91 kg] side mount
 - drawer width 42" [1067 mm]
 - 75 lb. [34 kg] under/flat mount
 - drawer width 24" [610 mm]
- Hold-in detent to prevent drawer roll-out and bounce-back
- 32 mm hole pattern

3600 Series

200-lb. [91 kg] load rating



Used for shelving units, bins, trays or wide storage drawers in commercial or residential settings.

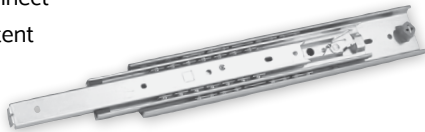
COMMON FEATURES

- Full extension
- .75" [19.1 mm] side space
- Drawers up to 42" [1067 mm] wide
- Even lengths 12"-28" [305-711 mm]
- Clear zinc finish



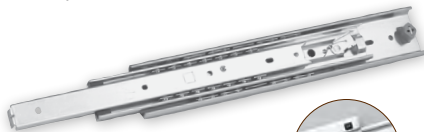
3600

- Non-disconnect
- Hold-in detent



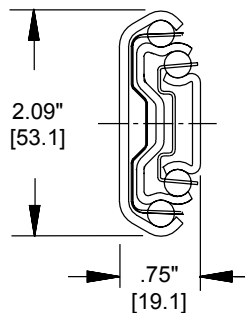
3607

- Lever disconnect
- Lock-out holds drawers and trays open in a safe and stable position for access



3657

- Lever disconnect
- Hold-in detent



7950/7957

350-lb. [159 kg] load rating*



An intermediate load-rating choice for wide drawers in kitchens, store fixtures, or institutional storage applications.



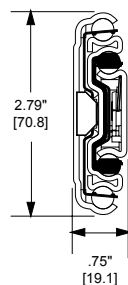
SPECIFICATIONS

- Full extension
- .75" [19.1 mm] side space
- 7950: non-disconnect
7957: handed lever disconnect
- Accommodates drawers up to 42" [1067 mm] wide
- Steel ball bearings
- Even lengths 12"-36" [305-914 mm]
- Clear zinc finish

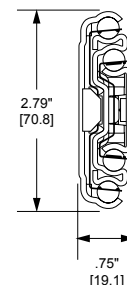
SPECIAL FEATURES

- May be side or flat mounted:
 - Side mount load capacity up to 350 lbs. [159 kg].
 - Flat mount load capacity up to 150 lbs. [68 kg].
- Bridged ball retainer design prevents retainer migration.

* Load rating based on a pair of 18" slides on a 42" wide drawer, cycled 10,000 times.



7957
Handed Lever
Disconnect



7950
Non-Disconnect

Enhanced 9301E

150-600-lb. [68-272 kg] load rating*



Well suited for large pantry pull-outs, vehicular storage, or other drawers with a heavier load.

LOAD RATINGS*

Flat mount: 180 lb. [81 kg]

Drawer widths up to 32" [813 mm]

Mobile applications: 360 lb. [163 kg]

Drawer widths up to 32" [813 mm]

Frequent usage: 480 lb. [217 kg]

Drawer widths up to 42" [1067 mm]

Moderate usage: 600 lb. [272 kg]

Drawer widths up to 24" [610 mm]

Bracket-mounted: 420 lb. [190 kg]

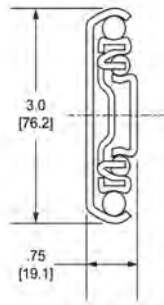
Drawer widths up to 42" [1067 mm]

Bracket-mounted: 600 lb. [272 kg]

Drawer widths up to 22" [559mm]

ACCESSORY PLATFORM BRACKET KITS

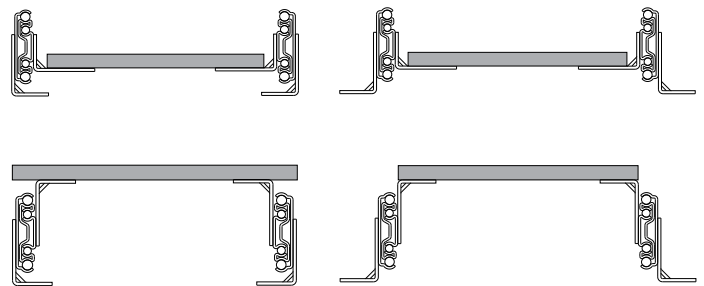
- Provides six additional mounting configurations
- Available in lengths of 12", 16", 22", and 28" [305, 406, 559, and 711 mm]
- Four bracket lengths have been designed to be used individually or in combination to accommodate all slide lengths.
- See technical sheet or www.accuride.com for bracket kit ordering information.
- Clear zinc finish



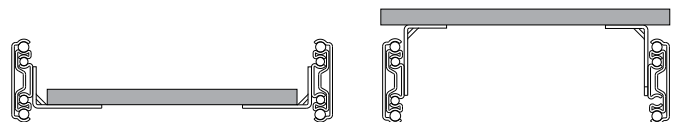
SPECIFICATIONS

- Full extension
- .75" [19.1 mm] side space
- Non-disconnect
- Silenced in and out
- Steel ball bearings
- Includes square carriage bolt holes
- Even lengths 10"-36", 40", 42", 44", 48", 54" and 60" [254-914, 1016, 1067, 1118, 1219, 1372 and 1524 mm]
- Clear zinc finish

Four Bottom-Mount Options



Two Side-Mount Options





Enhanced 9307E Lock-out

Heavy duty with a lock-out for applications where secure access to drawers and trays adds a measure of safety.



Enhanced 9308E Lock-in & Lock-out

Lock-in and lock-out features to ensure drawers stay securely closed during transit in applications such as utility vehicles.



COMMON FEATURES

- Full extension
- .75" [19.1 mm] side space
- Non-disconnect
- Lock-in/Lock-out actuated with latch at front of slide
- Compatible with optional platform brackets (see Model 9301E)
- For locking on one side only, order non-locking companion slide Model 9301E
- Available in even lengths 12"-36", 40", 42", 48", 54", 60" [305-914 mm, 1016 mm, 1066 mm, 1219 mm, 1372 mm, 1524 mm]

NOTE: Special packaging is available which includes one standard 9301E and one right-hand 9308E. Available lengths: 14"-32", 36", 40", 48", 54" and 60". The part number for this packaging is 9308-E5.

LOAD RATINGS

- Mobile applications:
 - 360 lbs. [163 kg]*
 - Drawer widths up to 32" [813 mm]
- Frequent usage:
 - 480 lbs. [217 kg]**
 - Drawer widths up to 42" [1067 mm]
- Moderate usage:
 - 600 lbs. [272 kg]*
 - Drawer widths up to 24" [609 mm]

* Load ratings based on 10,000 cycle test

** Load rating based on 75,000 cycle test

NOTE: See product technical sheet for cycle testing data.



Caution: This slide must never be used as a pull-out step, platform or any other application supporting human weight, as injury may result.



Corrosion-Resistant Slides

100–1,323 Pounds

18–24 Inch Drawer Widths

SS2028

Stainless Steel Slide

100-lb. [45 kg] load rating*



With the narrowest side space of the group, this model provides an advantage in installations where space must be maximized.



SPECIFICATIONS

- 3/4 extension
- .38" [9.5 mm] side space
- Drawer widths up to 18" [457 mm]
- Non-disconnect
- Stainless steel ball bearings
- Lengths 12"-28" [300-700 mm]**
- Stainless steel

SPECIAL FEATURES

- Hold-in detent
- Corrosion resistant

SS0330

Stainless Steel Slide

143-lb. [65 kg] load rating*



Providing a load capacity on the lighter side of the heavy-duty category, this slide is for heavier drawers or pull-out shelves in applications that require full extension.



SPECIFICATIONS

- Full extension
- .75" [19.1 mm] side space
- Drawer widths up to 18" [457 mm]
- Non-disconnect
- Stainless steel ball bearings
- Lengths 12"-24" [300-600 mm], plus 28" [700 mm]**
- Stainless steel

SPECIAL FEATURES

- Hold-in detent
- Corrosion resistant

* Load rating based on 18" slides in 18" drawers cycled 80,000 times.

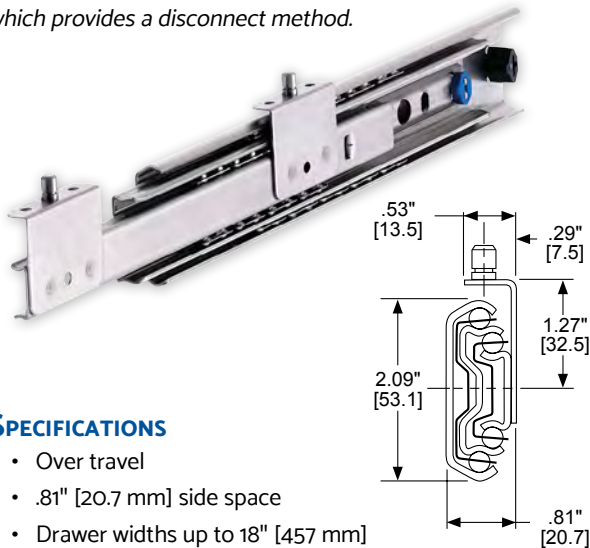
** The lengths indicated in inches are approximate conversions from the metric measurements. Please see technical sheet for exact dimensions.

SS5322**Stainless Steel Slide**

265-lb. [120 kg] load rating*



The unique features on this model are over travel, for complete access to contents, and bracket mounting, which provides a disconnect method.

**SPECIFICATIONS**

- Over travel
- .81" [20.7 mm] side space
- Drawer widths up to 18" [457 mm]
- Bracket disconnect
- Stainless steel ball bearings
- Lengths 12"-24" [300-600 mm], plus 28" [700 mm] and 31" [790 mm]**
- Stainless steel

SPECIAL FEATURES

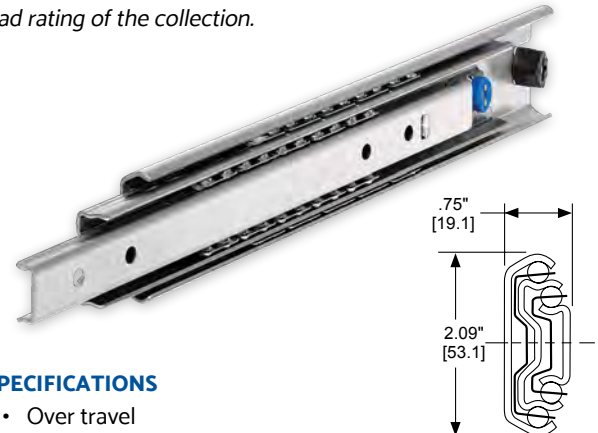
- Hold-in detent
- Corrosion resistant
- Easy-mount brackets with locator pins to simplify disconnect.

SS5321**Stainless Steel Slide**

350-lb. [159 kg] load rating*



The most heavy-duty performer of the group, this slide offers a slightly narrower profile, over travel, and the greatest load rating of the collection.

**SPECIFICATIONS**

- Over travel
- .75" [19.1 mm] side space
- Drawer widths up to 18" [457 mm]
- Non-disconnect
- Stainless steel ball bearings
- Lengths 12"-24" [300-600 mm], plus 28" [700 mm] and 31" [790 mm]**
- Stainless steel

SPECIAL FEATURES

- Hold-in detent
- Corrosion resistant

* Load rating based on 18" slides in 18" drawers cycled 80,000 times.

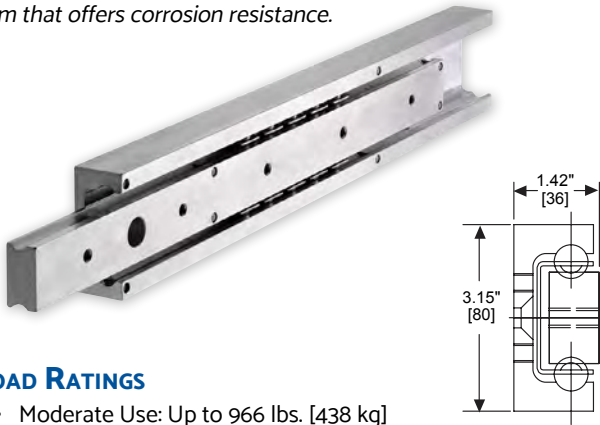
** The lengths indicated in inches are approximate conversions from the metric measurements. Please see technical sheet for exact dimensions.

AL4120 Super Heavy-Duty Aluminum Slide

1,212-lb. [438 kg] load rating*



Super heavy duty, 3/4 extension slide in lightweight aluminum that offers corrosion resistance.



LOAD RATINGS

- Moderate Use: Up to 966 lbs. [438 kg]
Load rating based on a pair of slides spaced 24" apart and tested to 10,000 cycles.
- Light Use: Up to 1,212 lbs. [550 kg]
Load rating based on a pair of slides spaced 24" apart and tested to 5,000 cycles.

SPECIFICATIONS

- 3/4 extension
- 1.42" [36 mm] side space
- Non-disconnect
- Stainless steel ball bearings
- Lengths: 16", 20", 24", 28", 32", 36", 40", 44", and 48" [400, 500, 600, 700, 800, 900, 1000, 1100, and 1200 mm]*

SPECIAL FEATURES

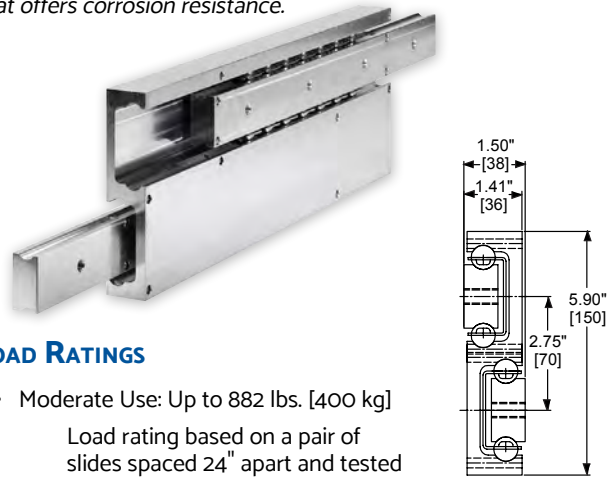
- Manufactured with lightweight aluminum, with stainless steel ball bearings and ball retainers to provide corrosion resistance and strength without the additional weight of steel slides.

AL4140 Super Heavy-Duty Aluminum Slide

1,323-lb. [600 kg] load rating*



Super heavy duty, with full extension in lightweight aluminum that offers corrosion resistance.



LOAD RATINGS

- Moderate Use: Up to 882 lbs. [400 kg]
Load rating based on a pair of slides spaced 24" apart and tested to 10,000 cycles.
- Light Use: Up to 1,323 lbs. [600 kg]
Load rating based on a pair of slides spaced 24" apart and tested to 5,000 cycles.

SPECIFICATIONS

- Full extension
- 1.5" [38 mm] side space
- Non-disconnect
- Stainless steel ball bearings
- Lengths: 16", 20", 24", 28", 32", 36", 40", 44", and 48" [400, 500, 600, 700, 800, 900, 1000, 1100, and 1200 mm]*

SPECIAL FEATURES

- Manufactured with lightweight aluminum, with stainless steel ball bearings and ball retainers to provide corrosion resistance and strength without the additional weight of steel slides.

** The lengths indicated in inches are approximate conversions from the metric measurements. Please see technical sheet for exact dimensions.



Flipper Door Slides®

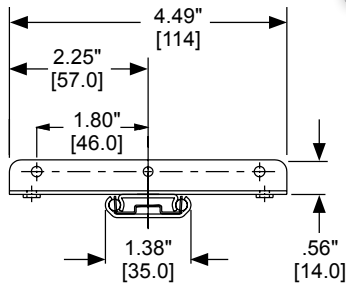
25-75 Pounds

117

25-lb. [11 kg] load rating



Suitable for entertainment cabinets and office storage doors.



SPECIFICATIONS

- Doors up to 24"w x 36"h [610 mm x 914 mm]
- Steel ball bearings
- Even lengths 12"-28" [305-711 mm]
- Clear zinc or black finish

SPECIAL FEATURES

- Optional detent-out feature prevents door sag
- No partition required
- Silenced in and out

Horizontal mounting requires pivot roller kit:

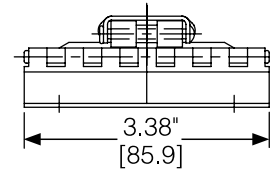
P/N 4180-0302-XE

1145

30-lb. [14 kg] load rating



Medium duty for armoires, storage cabinets, and entertainment center doors.



SPECIFICATIONS

- 36" [914 mm] maximum door width
- Steel and polymer ball bearings
- Lengths 10"-24" [252-608 mm]
- Clear zinc or black finish

SPECIAL FEATURES

- Minimum door racking
- Pin hinge included

Mounting bracket kit (zinc):

P/N 4180-0325-XE

Mounting bracket kit (black):

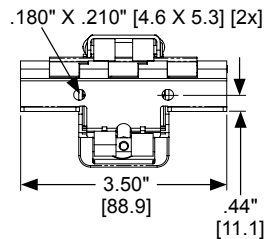
P/N 4180-0326-XE

1155 Easy-Down®

30-lb. [14 kg] load rating



The Easy-Down® has a motion control system to ensure overhead doors close safely.



SPECIFICATIONS

- Accommodates door widths up to 48" [1219 mm]
- Steel ball bearings
- Even lengths 12"-24" [303-608 mm]
- Clear zinc or black finish

SPECIAL FEATURES

- Over-the-top design provides no loss of normal storage space
- Protects user from rapid drop of door
- Door closing speed remains similar on both light and heavy doors
- Easy installation—requires few or no cabinet modifications
- Cylinder cover cap provides a finished look (not shown)
- P/N 4180-0325-XE

Mounting bracket kit (black):

P/N 4180-0326-XE

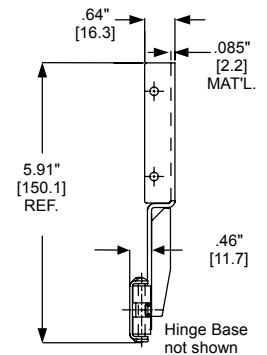
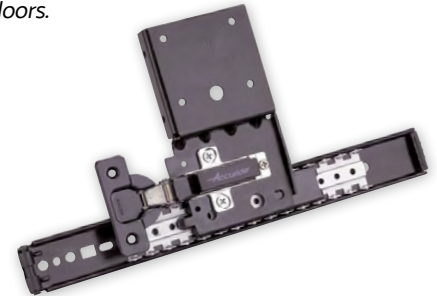
The cylinder for the Easy-Down® is covered by a five year limited warranty.

123/1234

30-lb. [14 kg] load rating



Accommodates taller kitchen cabinet and entertainment center doors.



SPECIFICATIONS

- Doors up to 24" [610 mm] wide by 42" [1067 mm] tall
- Hold-out detent
- Steel ball bearings
- Even lengths 12"-28" [305-711 mm]

123-35 mm inset hinges included

Black zinc finish—slides and hinges

1234-Hinges purchased separately

Black zinc finish—slides only

OPTIONAL HINGE KITS

P/N 4180-0391-XE

35 mm hinge

P/N 4180-0314-XE

Overlay (40 mm)

P/N 4180-0313-XE

Thick door (40 mm)

1321 Pro Pocket

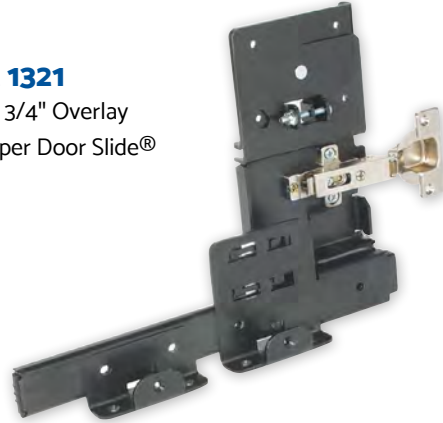
30-lb. [14 kg] load rating



The Pro Pocket is a full 3/4-inch overlay Flipper Door Slide® with special features that virtually eliminate door damage.

MODEL 1321

- Full 3/4" Overlay
- Flipper Door Slide®

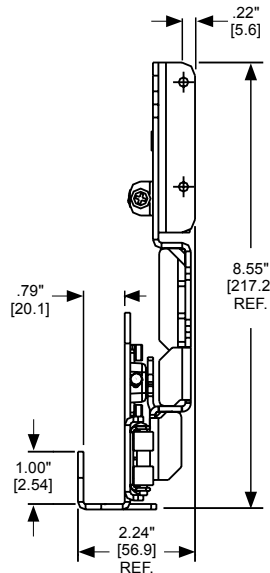
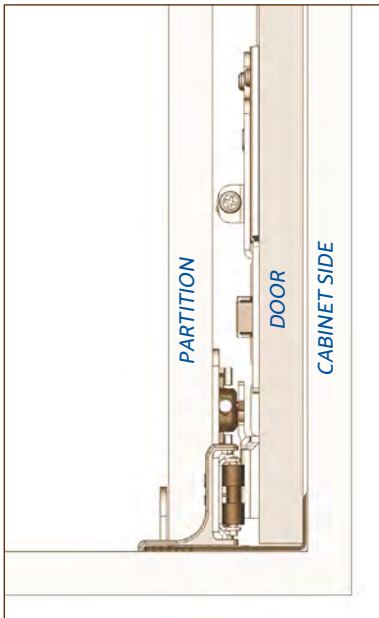


SPECIFICATIONS

- Doors up to 42" [1067 mm] tall by 24" [610 mm] wide
- Steel ball bearings
- Even lengths 16"-28" [405-710 mm]
- Black electroplate finish

SPECIAL FEATURES

- Attached brackets provide easy partition installation and removal
- Auto-open feature pushes cabinet doors open the last 1-1/4" [32 mm] of travel to ensure doors are fully extended
- Skid blocks with indexing marks ease installation, and protect door face, top, and bottom
- Cover caps provide aesthetic finish

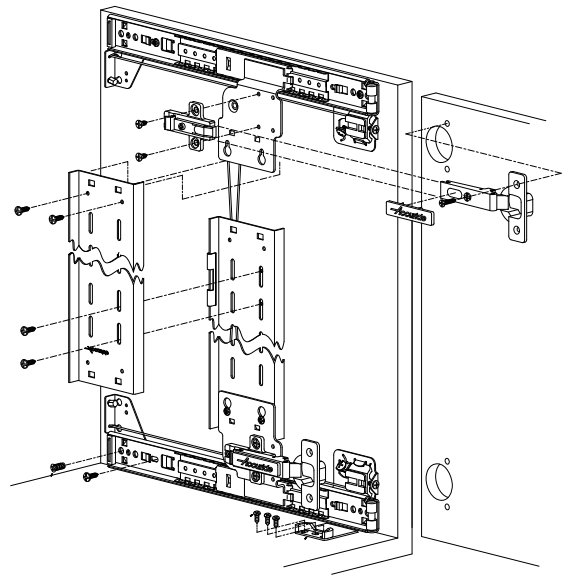


1332/1432 Anti-Rak Cable System

75-lb. [34 kg] load rating

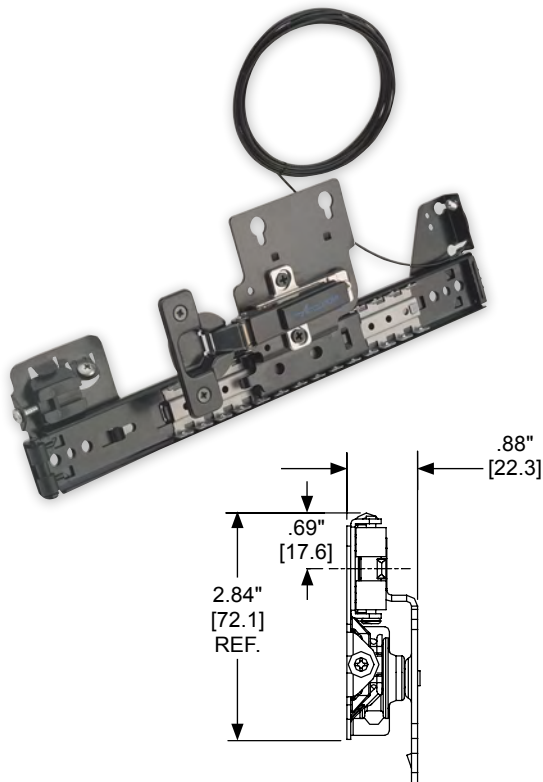


These slides are designed for taller, heavier doors used on armoires, or audio/visual and home entertainment cabinetry.



SPECIFICATIONS

- Door heights up to 78" [1981 mm]
- Door widths to 26" [660 mm]
- For doors 36"-78" [914-1981 mm] tall additional hinges required—see below
- Lengths 12"-32" [303-813 mm]
- Hold-out detent
- Silenced in and out
- Steel ball bearings
- Standard black or optional clear zinc finish



1332—35 mm inset hinges included

1432—Hinges purchased separately

Hinge Carrier Strip Kit:

(required for doors 36"–78" tall [914-1981 mm])

P/N 4180-0408-XE - Black finish

P/N 4180-0410-XE - Zinc finish

Connector Clip Kit (to join carrier strips):

P/N 4180-0412-XE

Optional 40 mm hinge kits:

P/N 4180-0292-XE

7/16" overlay for doors up to 3/4" [19.1 mm]

P/N 4180-0394-XE

Thick doors up to 1-1/4" [31.8 mm]

Extra Hinge Kit (35 mm inset):

P/N 4180-0407-XE - Black finish

P/N 4180-0389-XE - Zinc finish



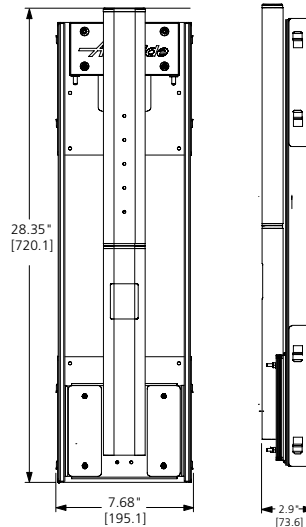
Specialty Slides

14.5–265 Pounds

CBLift-0019 – Ascent

14.5-lb. [6.6 kg] load rating

The Ascent is a push-to-operate mechanical lift that provides access and conceals screens in desks and other cabinetry.



SPECIFICATIONS

- Accommodates screens from 5.5–14.5 pounds [2.5–6.6 kg], up to 17.5" tall, and 22" diagonally
- No power required, movement is controlled by counterbalancing weights
- Swivels $\pm 112.5^\circ$ for expanded viewing access
- Black electroplate finish

SPECIAL FEATURES

- Easy to install
- Unit raises 21 inches in less than 2 seconds

OPTIONAL KITS

Additional Weight Pack

P/N 2990-9774-BE

VESA 18° Tilt Bracket

P/N 2990-9776-BE

Weight Extension Plate Kit

P/N 2990-9775-BE

VESA Fixed Bracket

P/N 2990-9777-BE

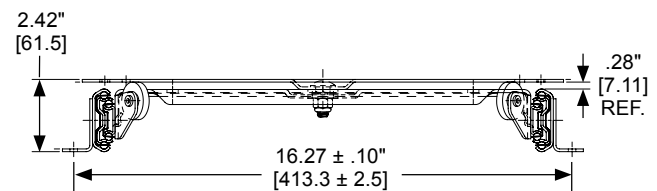
NOTE: Packaging includes wire management, cable control kit, and one weight pack.

CB3620-258TV

225-lb. [102 kg] load rating*



A smooth pull-out swivel that holds televisions up to 36" diagonally.



SPECIFICATIONS

- 14" [356 mm] extension
- Holds televisions up to 36" [914 mm] diagonally
- Steel ball bearings
- Black zinc plating

SPECIAL FEATURES

- Hold-in detent to prevent roll-out and bounce-back
- Smooth, stable movement
- 360° swivel
- Silenced in and out

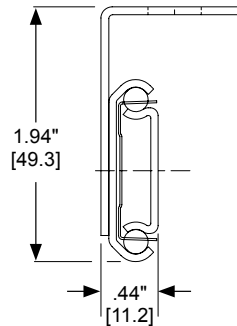
* Load rating based on 10,000 cycle test.

2006

45-lb. [20 kg] load rating



Known as the pencil drawer slide, this product is designed for suspended drawers beneath desks or tabletops.



SPECIFICATIONS

- 3/4 extension
- .44" [11.2 mm] side space
- Drawer widths up to 16" [406 mm]
- Friction disconnect
- Steel ball bearings
- Simple, fixed height bracket installation
- Lengths 12"-28" [305-711 mm]
- Clear zinc or black finish

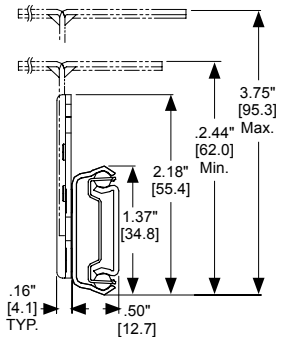
2109

75-lb. [34 kg] load rating



Keyboard trays, pencil drawers, and suspended drawers requiring a detent in and out.

Bracket mounts inboard or outboard



SPECIFICATIONS

- 3/4 extension
- .50" [12.7 mm] side space (.66" [16.8 mm] with bracket)
- Drawer widths up to 16" [406 mm]
- Lever disconnect
- Steel ball bearings
- Even lengths 12"-28" [300-700 mm]
- Clear zinc or black finish

SPECIAL FEATURES

- Hold-in and hold-out detent
- Variable height mounting brackets
- Flexibility of inboard or outboard bracket mounting

Mounting bracket kit (zinc):

P/N 4180-0400-XE

Mounting bracket kit (black):

P/N 4180-0401-XE

Clip-on Bracket (zinc):

P/N 5410-08XX (varies by length)

Keyboard Systems



Ergonomically designed for home and business office workstations.



CBERGO-TRAY 200

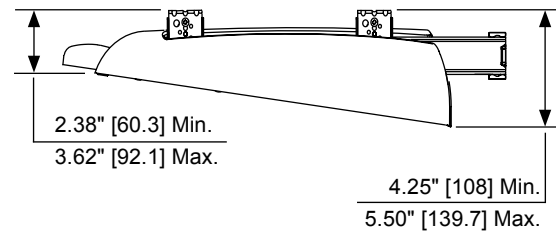
CBERGO-TRAY 200

- 3/4 extension slides
- Foam palm rest
- Angled keyboard

SPECIFICATIONS

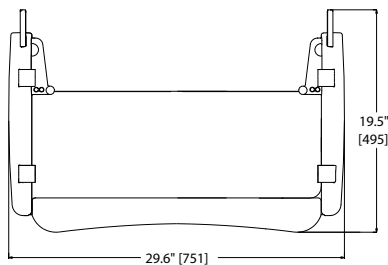
- Fully concealed slides ensure no rough or exposed edges
- Removable palm rest allows unit to accommodate virtually any size keyboard
- Extra-wide tray provides ample mousing surface
- Built-in cable management
- Removable mouse pad for left or right-handed mousing
- Typing surface held in place when in use or stored
- Mounting brackets feature seven adjustment heights and can be mounted inboard or outboard depending upon installation requirements
- Steel ball bearing

Side view shared for both models

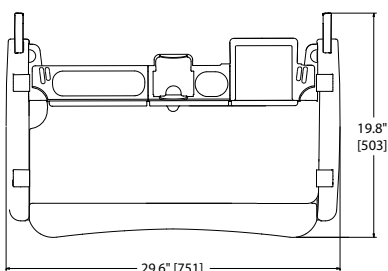


CBERGO-TRAY 300 - DELUXE

CBERGO-TRAY 200



CBERGO-TRAY 300 - DELUXE



CBERGO-TRAY 300

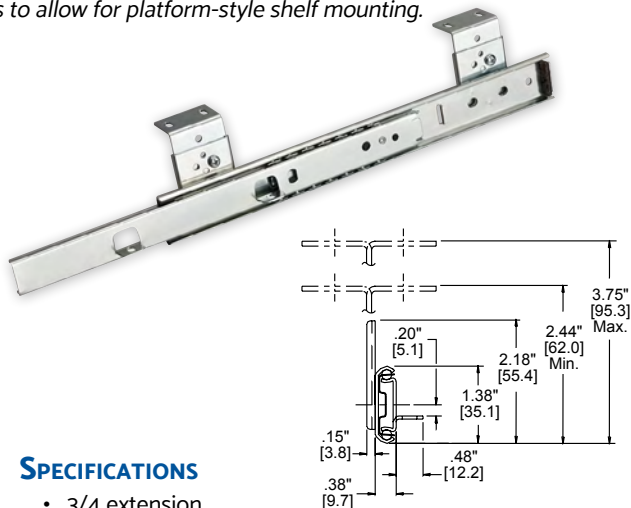
- Full extension slides
- Typing surface secures in partially or fully extended positions
- Gel palm rest
- Rear storage compartments
- Adjustable keyboard platform offers three typing positions for maximum user comfort

2019

75-lb. [34 kg] load rating



Known as the quick-install shelf slide, this product has bent-down tabs to allow for platform-style shelf mounting.



SPECIFICATIONS

- 3/4 extension
- .38" [9.7 mm] side space
- Drawers up to 16" [406 mm] wide
- Lever disconnect
- Steel ball bearings
- Even lengths 12"-28" [305-711 mm]
- Clear zinc or black finish

SPECIAL FEATURES

- Hold-out detent
- Optional bracket kit mounts in-board or out and provides up to 1.31" [33.2 mm] of vertical adjustment.

Optional bracket kit, zinc:

P/N 4180-0255-XE

Optional bracket kit, black:

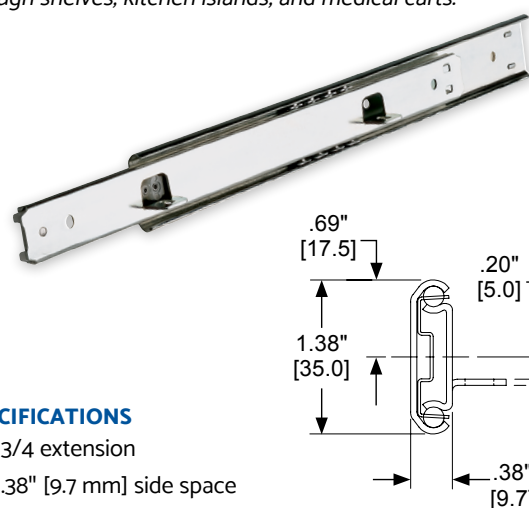
P/N 4180-0257-XE

2002

50-lb. [23 kg] load rating



This slide offers two-way travel, which works well on pass-through shelves, kitchen islands, and medical carts.



SPECIFICATIONS

- 3/4 extension
- .38" [9.7 mm] side space
- Drawers up to 12" [305 mm] wide
- Non-disconnect
- Steel ball bearings
- Even lengths 12"-28" [305-711 mm]
- Clear zinc or black finish

SPECIAL FEATURES

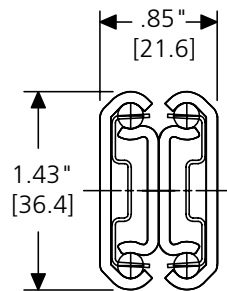
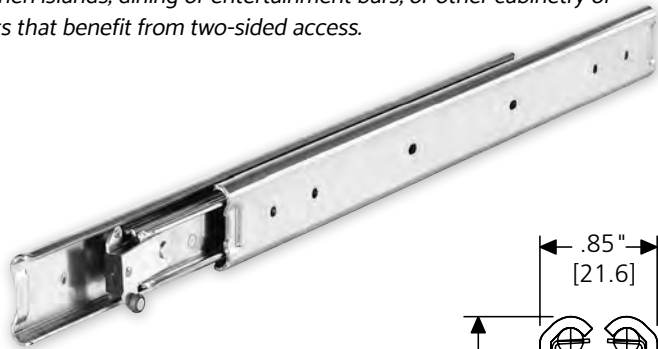
- Shelf/bottom mount tabs
- Internal detent secures in center position
- Provides access from both sides of installation

O363

100-lb. [45 kg] load rating



Offering full extension and two-way travel, this slide is for use in kitchen islands, dining or entertainment bars, or other cabinetry or carts that benefit from two-sided access.

**SPECIFICATIONS**

- Full extension from center point in both directions
- .85" [21.6 mm] side space
- Drawers up to 18" [457 mm] wide
- Non-disconnect
- Steel ball bearings
- Tested to 80,000 cycles
- Available lengths: 12", 14", 16", 18", 20", 22", 24", and 28" [300, 350, 400, 450, 500, 550, 600 and 700 mm]
- Clear zinc finish

**SPECIAL FEATURES**

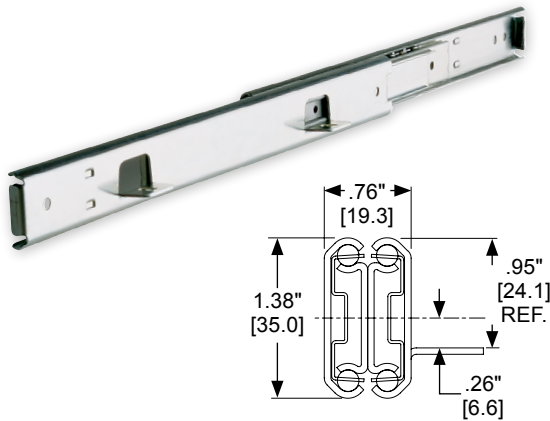
- Two-way travel provides access from both sides of installation
- Hold-in detent at center keeps conveyances in position until use

322

100-lb. [45 kg] load rating



This pull-out shelf slide is designed for entertainment center shelves, appliance drawers, and pan shelves.



SPECIFICATIONS

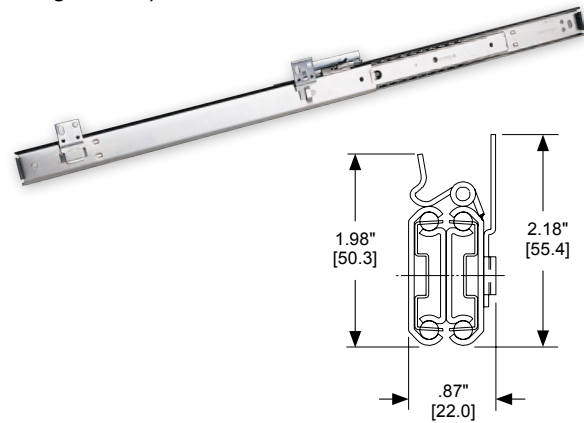
- Full extension + .88" [22.4 mm]
- .76" [19.3 mm] side space
- Drawers up to 16" [406 mm] wide
- Non-disconnect
- Tab mounting
- Steel ball bearings
- Even lengths 12"-28" [305-711 mm]
- Clear zinc or black finish

340

110-lb. [50 kg] load rating



Known as the butcher block slide, model 340 is ideal for cutting boards, printer, and work surface shelves.



SPECIFICATIONS

- Full extension
- .87" [22 mm] side space
- Drawers up to 18" [457 mm] wide
- Even lengths 16"-22" [406-559 mm]
- Steel ball bearings
- Clear zinc or black finish

SPECIAL FEATURES

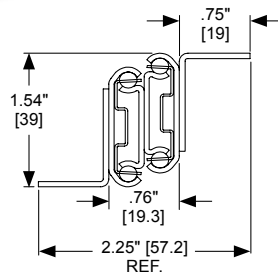
- Bracket mount/disconnect
- Easy disconnect for removal and work surface cleaning
- Lock-out secures slide in open position

301-2590

155-lb. [70 kg] load rating



Shelf or platform mounted pull-outs for pantries or entertainment centers.



SPECIFICATIONS

- .83" [21 mm] over travel
- 1.54" [39 mm] vertical space
- Drawers up to 16" [406 mm] wide
- Non-disconnect
- Steel ball bearings
- Even lengths 12"-28" [305-711 mm]
- Clear zinc or black finish

SPECIAL FEATURES

- Mounts under shelves
- Hold-in detent to prevent drawer roll-out and bounce-back

3600-200/3600-201 StowAway

175-lb. [80 kg] load rating



Keep waste containers and utility bins in kitchens, laundry or hobby rooms neatly out of sight.



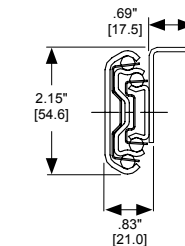
3600-201 Shown

SPECIFICATIONS

- Full extension
- Drawers up to 20" [508 mm] wide
- Standard 22" length [559 mm]
- Steel ball bearings
- Clear zinc finish

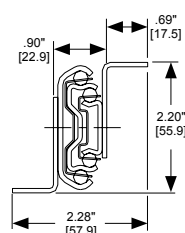
SPECIAL FEATURES

- Self-closing action begins within 2-1/2" [63.5 mm] from cabinet opening
- Handed lever disconnect
- Attached brackets permit side, top or bottom mounting



3600-200

- One fixed inboard bracket
- Outer member side-mounts directly onto cabinet wall



3600-201

- Inboard top bracket and outboard bottom bracket
- Slide may be mounted on top or bottom of the cabinet

Accuride Linear Track Systems

Accuride linear track systems use lightweight, corrosion-resistant aluminum tracks and recirculating ball carriages to guide, move, or position screens, panels, and partitions. Adaptable in many ways, you'll find our systems in industrial, commercial, medical, and institutional environments.

Common Features & Benefits

Multiple mounting methods

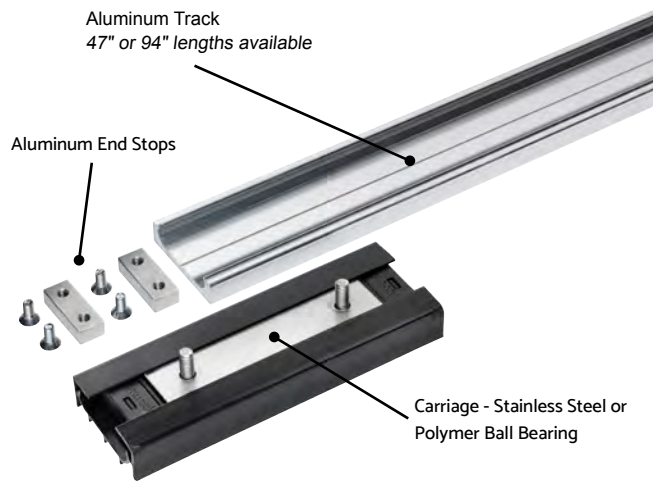
- The track may be side, flat, or vertically mounted.
- When flat mounted, track may be oriented with the ball carriage facing up or down.
- Vertical mounting is for non-load bearing applications.

Two re-circulating ball carriage options

- Stainless steel ball bearings: provides the greatest load capacity.
- Polymer ball bearings: grease-free with smooth and quiet movement.

Multiple carriages may be inserted into tracks

- Carriages may be used separately to provide independent movement, combined as a unit, or both methods within one track.



115RC

For light- and medium-duty applications

Aluminum track available in two lengths: 47" and 94"

- Corrosion-resistant track may be cut to the desired length. Available with or without pre-drilled holes.
- Multiple lengths of track can be butted together to extend the track to any distance required.

Load Capacity up to 265 lbs. [120kg]

Easy Installation

TRACKS HAVE DRILLING MARKS FOR FIXING HOLES AND END STOPS.

- End stops are attached after the carriages are inserted to contain carriages.
- Tracks with and without fixing holes

COMPONENTS

Tracks and carriages are priced and sold singly.

- ALO115-0120RCH 47" Aluminum Track (x1) with Pre-Drilled holes
- ALO115-0240RCH 94" Aluminum Track (x1) with Pre-Drilled holes
- ALO115-0120RC 47" Aluminum Track (x1) without Pre-Drilled holes
- ALO115-0240RC 94" Aluminum Track (x1) without Pre-Drilled holes
- SSO115-CASSRC Carriage - Stainless Steel Balls (x1)
- CBO115-CASSRC Carriage - Polymer Balls (x1)
- ALO115-STOPRC Aluminum End Stop (1 stop + 2 screws)

115RC OPTIONAL ACCESSORIES

- DZO115-DJIGRC Drilling Jig (made to order)
- CBO115-ECRC Easy-Close Kit - Includes dampening mechanism and engagement plate. Fasteners not included.
- 4180-0757-XE Nuts and Washers for Individual Carriages
 - 2 ea. M5 5/8 inch Barrel nuts
 - 2 ea. Star washers

Side Mount	SSO115-CASSRC Stainless Steel Ball Carriage	CBO115-CASSRC Polymer Ball Carriage
	X1 - 110 lbs.	X1 - 65 lbs.
	X2 - 200 lbs.	X2 - 120 lbs.
	X3 - 265 lbs.	X3 - 160 lbs.
Flat Mount Carriage UP	SSO115-CASSRC Stainless Steel Ball Carriage	CBO115-CASSRC Polymer Ball Carriage
	X1 - 65 lbs.	X1 - 40 lbs.
	X2 - 120 lbs.	X2 - 70 lbs.
	X3 - 155 lbs.	X3 - 90 lbs.
Flat Mount Carriage DOWN	SSO115-CASSRC Stainless Steel Ball Carriage	CBO115-CASSRC Polymer Ball Carriage
	X1 - 90 lbs.	X1 - 50 lbs.
	X2 - 155 lbs.	X2 - 90 lbs.
	X3 - 200 lbs.	X3 - 120 lbs.

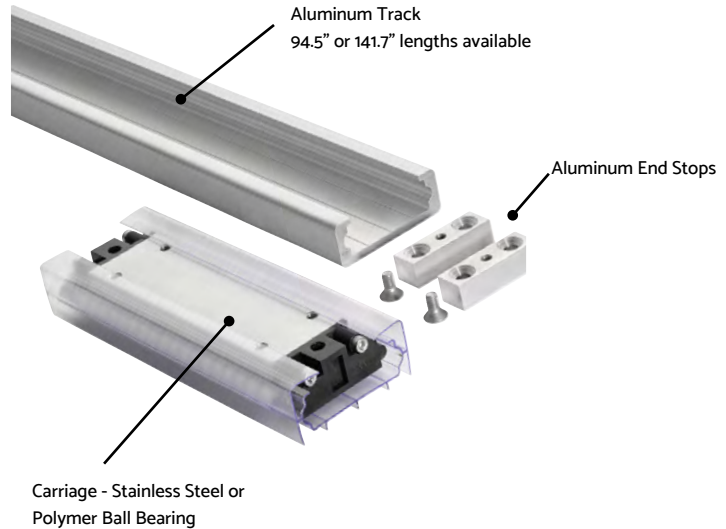
Note: Weight should be evenly distributed across the carriage(s).

115RC OPTIONAL ACCESSORIES

- 4180-0756-XE 115RC Hardware Kit with Polymer Ball Carriages
 - 2 ea. CBO115-CASSRC
 - 2 ea. ALO115-STOPRC
 - 4 ea. M5 5/8 inch Barrel nuts
 - 4 ea. Star washers
- 4180-0746-XE 115RC Hardware Kit with Stainless Steel Ball Carriages
 - 2 ea. SSO115-CASSRC
 - 2 ea. ALO115-STOPRC
 - 4 ea. M5 5/8" Barrel nuts
 - 4 ea. Star washers

116RC

Heavy-Duty Linear Motion Track System



FEATURES

- Available in two lengths: 94.5" [2400 mm] and 141.7" [3600 mm]
- Load Capacity up to 793 lbs. [360kg]
- Can be fitted for sliding door application
- ADA ccompliant

COMPONENTS

Tracks and carriages are priced and sold singly.

- ALO116-O24RC 94.5" Aluminum Track (x1)
- ALO116-O36RC 141.7" Aluminum Track (x1)
- SSO116-CASSRC Carriage – Stainless Steel Balls (x1)
- CBO116-CASSRC Carriage – Polymer Balls (x1)
- ALO116-STOPRC Aluminum End Stop (1 stop + 2 screws)
- SSO116-BRKT01RC Recycling Bracket (x1)

11RC OPTIONAL KITS

- CBO116-DAMP Damper (x1)

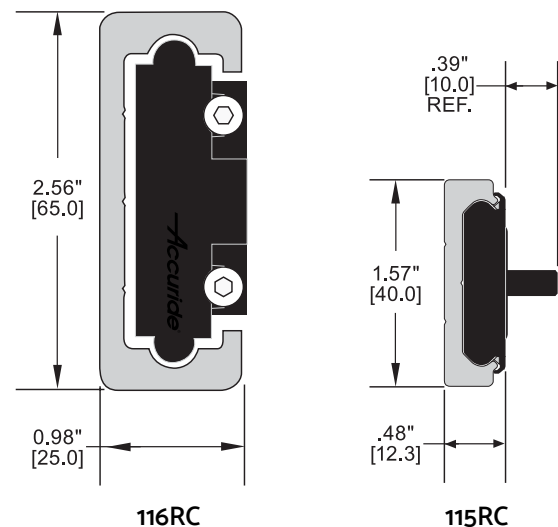
SLIDING DOOR HARDWARE

- ALO116-SUPPRC Support Beam (x1)
- ALO116-FASCRC Fascia (x1)
- ALO116-ECAPRC-2 Fascia end caps (2 caps + 8 screws)
- SSO116-BRKT-KIT Bracket Kit tool (x1)

NOTE: Due to the extensive variety of applications and possible orientations for this product, we recommend that customers first test this product in the intended application. This product is not recommended for high-torque applications.

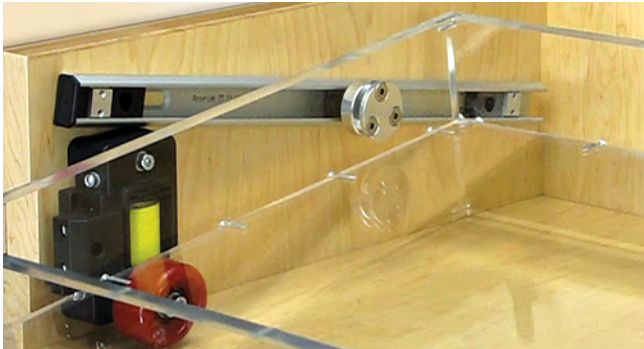
Side Mount	SSO115-CASSRC Stainless Steel Ball Carriage	CBO115-CASSRC Polymer Ball Carriage
	331 lbs. (x1)	220 lbs. (x1)
	639 lbs. (x2)	397 lbs. (x2)
	793 lbs. (x3)	529 lbs. (x3)
Flat Mount Carriage UP	SSO115-CASSRC Stainless Steel Ball Carriage	CBO115-CASSRC Polymer Ball Carriage
	198 lbs (x1)	132 lbs. (x1)
	361 lbs. (x2)	240 lbs. (x2)
	465 lbs. (x3)	309 lbs. (x3)
Flat Mount Carriage DOWN	SSO115-CASSRC Stainless Steel Ball Carriage	CBO115-CASSRC Polymer Ball Carriage
	264 lbs. (x1)	176 lbs. (x1)
	465 lbs. (x2)	311 lbs. (x2)
	595 lbs. (x3)	396 lbs. (x3)

Note: Weight should be evenly distributed across the carriage(s).

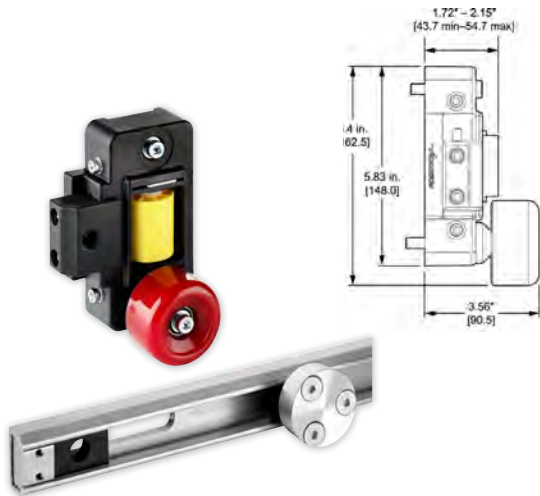


AL4190 Tilt Track System

140-lb. [63.5 kg] load rating



A track system that extends and tilts drawers downward for easy viewing and access to contents. Use for supply and equipment storage in retail fixtures, commercial kitchens and restaurants, medical facilities, garages, and more..



AL4190 Tilt Track System

SPECIFICATIONS

- Extends and tilts downwards
- Drawers up to 40" wide
- Aluminum track in two lengths
 - 24" [600 mm]
 - 40" [1000 mm]
- Roller wheel assemblies dampen and smooth out the movement
- Non-disconnect

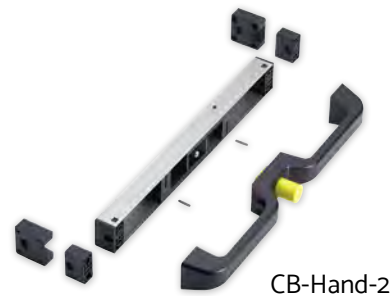
SPECIAL FEATURES

- Corrosion resistant
- Angle of tilts is preset by installer
- Track can be cut to length for custom fit
- Fully adjustable from the front and with the drawer in place
- Can be used with CBHand-2 Locking Handle Kit to add lock-in feature

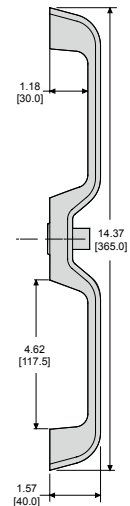
CB-Hand Locking Handle Kit



Adds lock-in and lock-out features to heavy-duty drawers or trays. Suitable for installations where the locking feature provides a measure of safety.



CB-Hand-2



SPECIFICATIONS

- Compatible with models such as 3640A, 7950, 7957, 9301, and other slides with cross sections .75" or greater [17.5 mm].
- Accommodates drawers up to 60" [1524 mm] wide.
- One-hand operation: activates with a centrally located push-button.
- Two locking options:
 - Front mounted unit - lock-in only (CBHAND-2)
 - Rear mounted unit - lock-in and lock-out (CBHAN4-5)
- Connecting rod not included
- Lock-out not intended for use with over travel slides
- Cut-to-length stainless steel rods allow for varying drawer widths (ordered separately).

SPECIAL FEATURES

- Lightweight and corrosion resistant components

OPTIONAL KITS

CBHAN4-5

Lock-out conversion kit

CBHAN3-0100-2

2 ea. 19.7" [500 mm] Stainless Steel Rods

CBHAN3-0150-2

2 ea. 29.5" [750 mm] Stainless Steel Rods

NOTE: The addition of the lock-out kit requires an additional threaded bar (not included). See product technical sheet for details.

ACCURIDE® LIMITED LIFETIME WARRANTY

Accuride warrants its Accuride-branded drawer slides against defects in material and workmanship for so long as the original purchaser owns them.* This warranty does not cover drawer slides which have been damaged due to abuse, improper installation, excessive loads, or any use contrary to the instructions accompanying the product.

Accuride will send the purchaser a replacement of the same model or a comparable model at no cost. This warranty is for replacement only and does not cover the cost of removal, installation, or other incidental charges.

To obtain a replacement slide under this warranty, contact Accuride Technical Support within 30 days of the discovery of the defect. Please let us know how the product was used and the type of defect or malfunction experienced.

The foregoing express limited warranty is in lieu of all other express warranties and excludes incidental or consequential damages. This warranty does not apply to products sold and used outside of the United States and Canada. All warranties implied by state law, including implied warranties of merchantability and fitness for a particular purpose, are expressly limited. Some states do not allow limitations on how long an implied warranty lasts or exclusion of incidental or consequential damages, so the foregoing limitation or exclusion may not apply to you. This Limited Lifetime Warranty gives you specific legal rights, and you may have other rights which vary from state to state.

** This warranty does not apply to the cylinder for the Easy-Down® Flipper Door Slide®, CBERGO-TRAY Keyboard Systems, Senseon® or any other Accuride product for which the expressed warranty differs from the Limited Lifetime Warranty offered above.*

Please contact Accuride Technical Support for further information.

<https://www.accuride.com/en-us/contacts/technical-support>

Accuride®
Always Moving Forward

ACCURIDE INTERNATIONAL INC.

NORTH AMERICA

INTERNATIONAL HEADQUARTERS

12311 Shoemaker Avenue ○
Santa Fe Springs, California 90670
562 903-0200 Telephone
562 903-0208 Fax
www accuride.com

Calle Circuito Norte No. 6 ○
Parque Industrial Nelson
Mexicali, B.C., C.P. 21395 Mexico



EUROPE

Liliput Road ○
Brackmills Industrial Estate
Northampton, NN4 7AS
United Kingdom
(441) 604-761111 Telephone
(441) 604-767190 Fax
www accuride-europe.com

Postfach 1464 ○
Werner - Von Siemens - Strasse 16-18
65582 Diez/Lahn
Germany
(49 64 32) 6 08-0 Telephone
(49 64 32) 6 08-20 Fax
www accuride-europe.com



ASIA

Accuride Japan Co., Ltd. ○
44 Minami-asaji Iwata Yawata-shi
Kyoto, Japan
81-75-983-7500 Telephone
81-75-983-9500 Fax
www accuride.co.jp

Accuride International Suzhou Co. LTD ○
No. 178, Suhong East Road
Suzhou Industrial Park
Jiangsu Province, China 215026
86-512-62731200 Telephone
86-512-62833993 Fax
www accuride.com.cn



DISTRIBUTED BY:

Accuride®

Always Moving Forward

Stay connected:



Accuride printed materials are:
Printed with soy based inks. Printed on paper that
contains recycled materials and conforms to the
latest sustainable arboriculture guidelines.